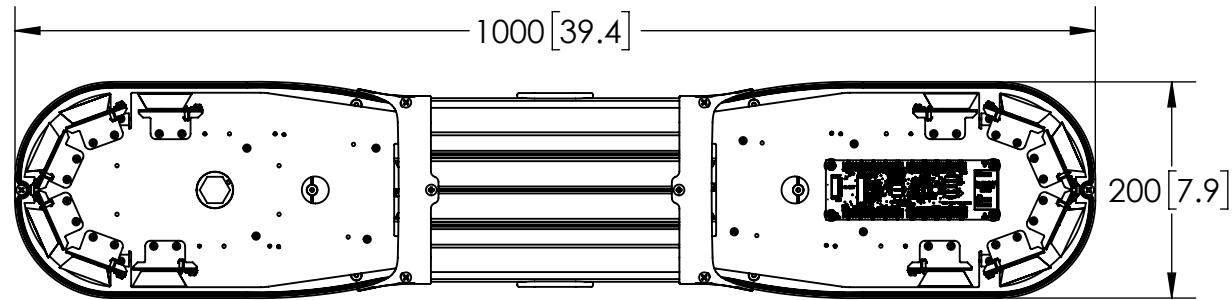


REVISION HISTORY		
REV.	DESCRIPTION	DATE
01	PRELIMINARY RELEASE PER LL0132	2017-08-07
A	INITIAL RELEASE PER LL0132	2017-09-06
B	REVISED PER LC1517	2018-12-03



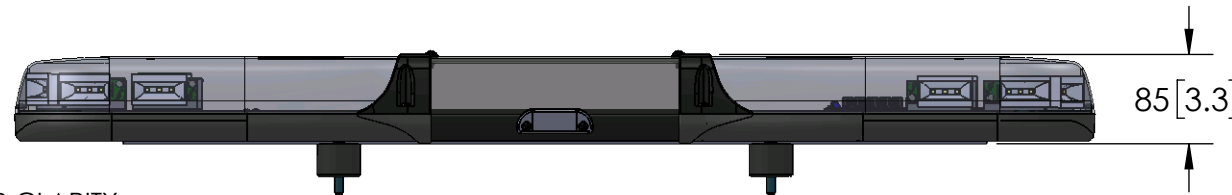
### REAR OF VEHICLE

### WIRING KEY

COLOUR	COMPONENT	TYP. MAX CURRENT (A)	COMMENT
RED	LED - POWER	3.6	N/A
BLK	GROUND	3.6	20A LIMIT
BRN	PRIMARY PATTERN	0.01	ALT L/R QF CL1
ORG	SECONDARY PATTERN	0.01	ALL ON QF CL1
YEL	ALLEY LEFT	N/A	N/A
GRN	ALLEY RIGHT	N/A	N/A
BLU	WORKLIGHT	N/A	N/A
VIO	PATTERN SELECT	0.01	N/A


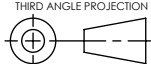
### SPECIFICATIONS

- CERTIFICATIONS: R10 & R65 CLASS 1 APPROVED
- FLASH MODE: QUAD 125 ± 5 FPM ALT L/R
- VOLTAGE (NOMINAL): 12/24 VDC
- CURRENT (MAXIMUM): 3.6A (at 12VDC)
- CONNECTION: 14 & 26 AWG WIRES
- MOUNTING: 4-BOLT THROUGH MOUNTING KIT
- BASE MATERIAL: PC (BLACK)
- LENS MATERIAL: PC (CLEAR)



### NOTES:

- CABLES AND WIRING NOT SHOWN
- TOP VIEW: TOP LENSES NOT SHOWN FOR CLARITY
- MOUNTING FEET: ADD 30mm TO OVERALL HEIGHT
- THE LENGTH BETWEEN MOUNTING FEET IS ADJUSTABLE
- CABLE LENGTH - 4.5m (15 ft)
- CABLE EXIT - DRIVER'S SIDE
- DIMENSIONS IN MILLIMETRES [INCHES(FOR REFERENCE)]
- USE SUB ASSEMBLY (143-00020-13) FOR MANUFACTURE

SCALE 1:7		APPROVALS	DATE	 <b>ECCO</b> <sup>®</sup> www.eccolink.com Americas (800) 635-5900   Europe +44 (0)113 237 5340   Asia Pacific +61 (0)3 63322444
CAD GENERATED DRAWING DO NOT MANUALLY UPDATE. MODEL REFERENCED: C+		DRAWN BY NP	2018-10-15	
TOLERANCES ARE IN INCHES, AND MILLIMETERS TOLERANCES UNLESS OTHERWISE STATED ARE:		CHECKED JUP	2018-10-17	
MILLIMETERS DECIMALS XX ± 1.0mm XX.X ± 0.5mm	INCHES DECIMALS X.X ± 0.1 X.XX ± 0.04 X.XXX ± 0.02	MECH. ENG. JGW	2018-09-19	
ANGLES ± 0.5° FRACTIONS ± 1/64		ELEC. ENG.		
THIRD ANGLE PROJECTION		TEST ENG. DFG	2018-10-30	
		SALES.		
Electronically Controlled Use Latest Copy		<b>ASSY,SUBLBR,13,39"/1.0M,CLEAR</b> CUSTOMER PART NO. 13-00020-E PRODUCT SERIES: 13		
SIZE: A4	DWG. NO. 13-00020-E	SHEET 1 OF 1 Project: LL0132 Date Created: 2017-08-07		
			REV. B	

THIS DRAWING AND THE DESIGN AND OTHER INFORMATION DISCLOSED HEREIN ARE THE PROPERTY OF ELECTRONIC CONTROLS COMPANY AND/OR ITS ECCO SAFETY GROUP AFFILIATES ("ECCO") AND IS ISSUED IN CONFIDENCE TO RECIPIENT FOR ENGINEERING INFORMATION PURPOSES ONLY. THIS DRAWING AND THE DESIGN AND OTHER INFORMATION DISCLOSED HEREIN MAY NOT BE USED, COPIED, REPRODUCED OR OTHERWISE DISCLOSED IN PART OR IN WHOLE TO THIRD PARTIES OR USED FOR ANY OTHER PURPOSE WITHOUT PRIOR ECCO WRITTEN CONSENT. ECCO RESERVES ALL PATENT, COPYRIGHT, TRADEMARK, AND OTHER PROPRIETARY RIGHTS TO THIS DOCUMENT, INCLUDING ALL DESIGN, MANUFACTURING, REPRODUCTION, USE AND SALES RIGHTS THEREOF. THIS DRAWING IS SUBJECT TO RECALL BY ECCO AT ANY TIME, AND YOUR POSSESSION AND/OR USE CONSTITUTES ACCEPTANCE OF THESE TERMS. ©2018 ELECTRONIC CONTROLS COMPANY