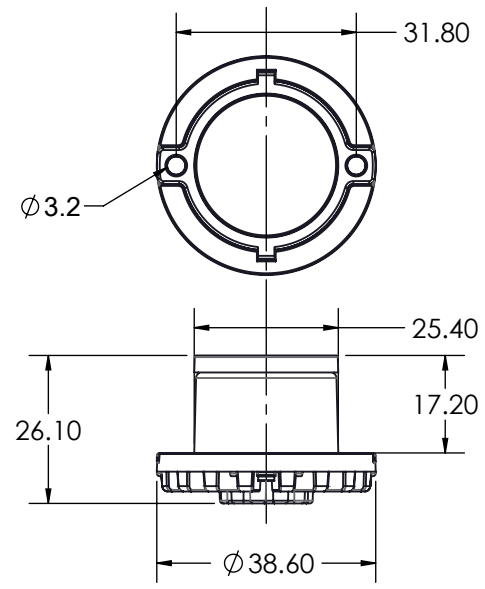
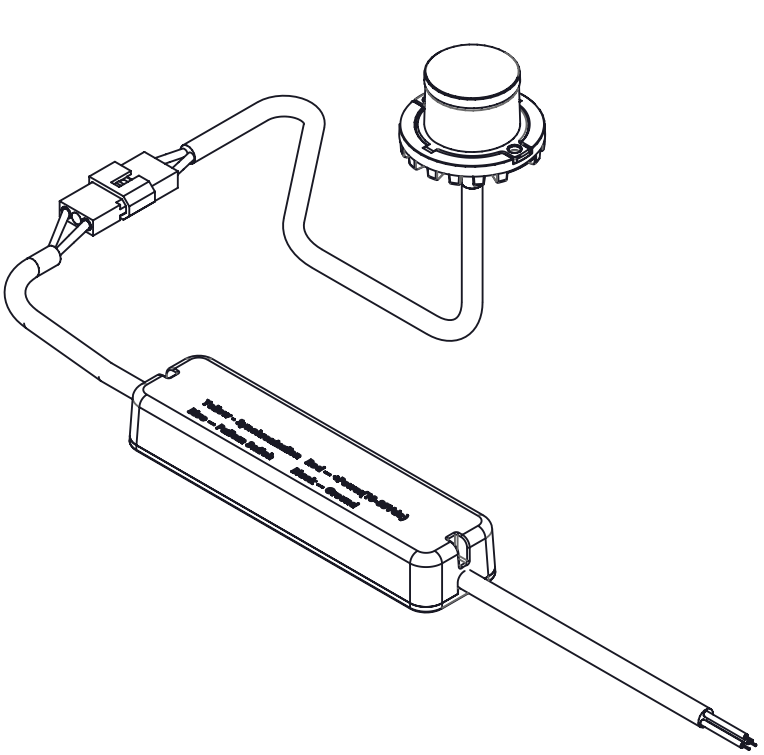


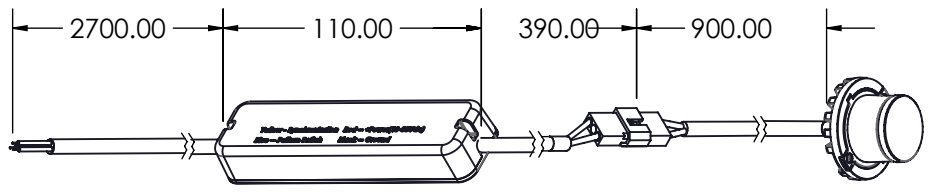
REVISION HISTORY		
REV.	DESCRIPTION	DATE
A	PRODUCTION RELEASE AS PER P3#12036	2013-06-26



### SPECIFICATIONS

1. CERTIFICATIONS; UN ECE R10 & R65 APPROVED
2. FLASH MODE: SEE INSTRUCTION SHEET FOR DETAILS
3. VOLTAGE (NOMINAL): 10-30 VDC
4. CURRENT (MAX): 1.5 A
5. CONNECTION: 4 CORE CABLE
6. MOUNTING: SEE INSTRUCTION SHEET FOR DETAILS
7. WATERPROOF AND DUSTPROOF TO IP67

RED: Positive (need to add 2A Fuse)  
 BLACK: Negative  
 BLUE: Pattern Switch  
 YELLOW: Synchronized Function  
**\*Maximum of 8 of the 3750 series can sync together**



APPROVALS	DATE
DESIGNER OM	
CHECKED	
SALES	



Group Headquarters & North American Division  
 1-800-635-5900  
 European Division  
 +44 (0) 113 237 5340  
 Pacific Asia Division  
 +61 (0) 363 322400  
[www.eccogroup.com](http://www.eccogroup.com)

### LED, 3750 SERIES 12/24V AMBER R65

CUSTOMER PART NO.	3750A	PRODUCT SERIES:	3750 Series
SIZE	A4	DWG. NO.	3750A
SHEET 1 OF 1	Project: VA12036	Date Created: 2013-06-26	REV. A

NOTES:  
 1. DIMENSIONS IN MILLIMETERS [INCHES (FOR REFERENCE)]

SCALE 1:8  
 CAD GENERATED DRAWING  
 DO NOT MANUALLY UPDATE.  
 MODEL REFERENCED: A  
 THIRD ANGLE PROJECTION

NON DISCLOSURE AGREEMENT  
 THIS DRAWING AND THE DESIGN IT DISCLOSES ARE THE PRIVATE PROPERTY OF VISION ALERT AND IS ISSUED IN CONFIDENCE FOR ENGINEERING INFORMATION ONLY. THE DRAWING AND / OR DESIGN MAY NOT BE USED, COPIED, REPRODUCED, OR OTHERWISE DISCLOSED IN PART OR AS A WHOLE TO OUTSIDERS OR USED FOR ANY OTHER PURPOSE WITHOUT THE PRIOR WRITTEN CONSENT OF VISION ALERT. THE DRAWING IS SUBJECT TO RECALL AT ANY TIME. YOUR POSSESSION OF THIS DOCUMENT CONSTITUTES ACCEPTANCE OF THESE TERMS. © 2013 ECCO GROUP.