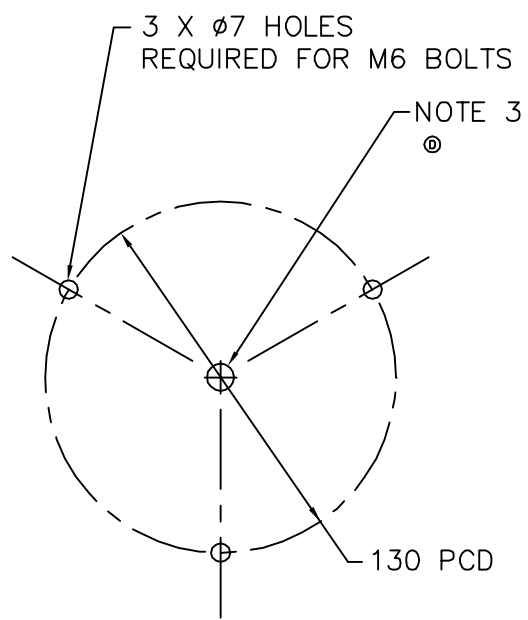
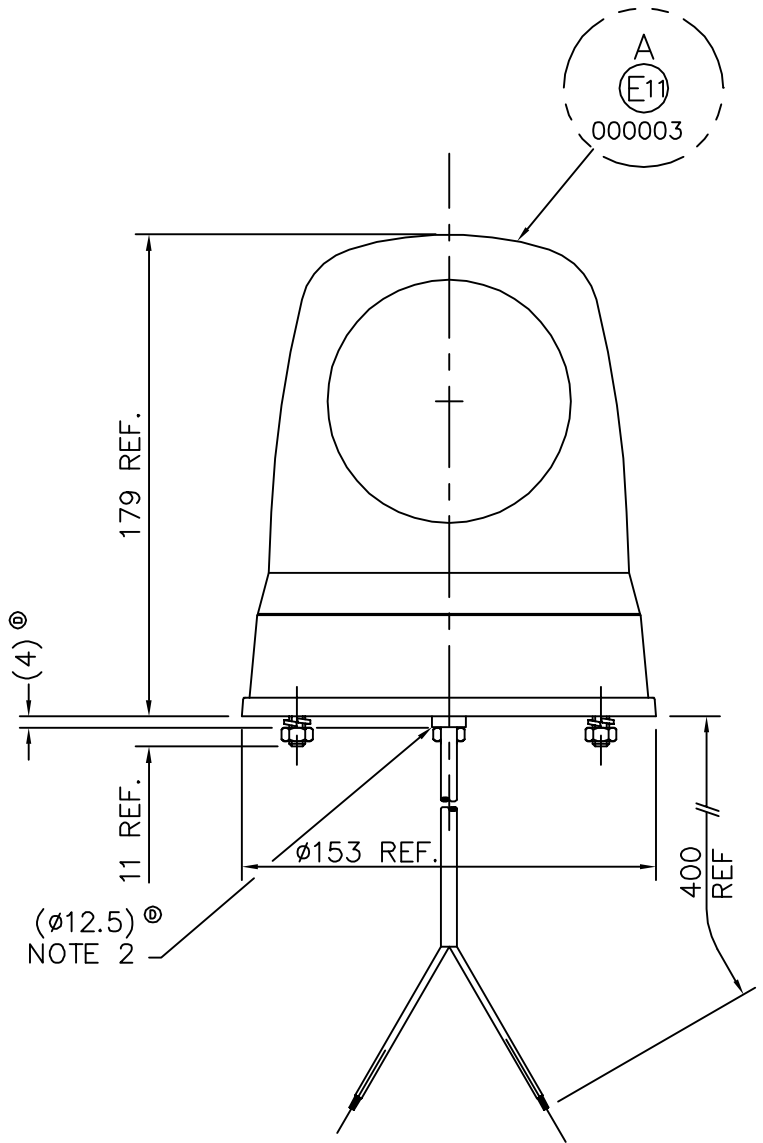


E APPROVAL DETAILS



MOUNTING BOLT ARRANGEMENT

CERTIFICATION PROCEDURE INVOLVED – UNAUTHORISED DEVIATION STRICTLY FORBIDDEN

MOD No	REFERENCE	ISS	DATE	BY
4481	PRE-PROD REL.	1	14/04/93	A.S.
4628	PROD. RELEASE	A	12/07/93	R.W.
5783		B	15/01/96	K.K.
12851		C	25/09/02	S.B.
16765		D	09/03/04	S.B.

NOTES

- ENVIRONMENTAL PERFORMANCE :- COMPLIES WITH BRITAX (PMG) LTD SPECIFICATION ENS 054, SAE J845 AND VIBRATION TO SAE J575 JUL'83
 - APPROVED TO EMC DIRECTIVES 95/54/EC. 2000/2/EC AND 97/24/EC ch8.
 - COMPLIES WITH EMC DIRECTIVE 89/336/EEC.
 - APPROVED TO ECE REG.10 AND REG. 65.
- CABLE PROTECTION SPOUT, THIS WILL PUSH UP INTO BASE IF NOT REQUIRED
- CABLE EXIT HOLE DIAMETER TO SUIT CABLE ASSEMBLY OR CABLE PROTECTION SPOUT.

OPERATING TEMPERATURE: -30 TO +50 DEG.C.
 BULB TYPE : 12V - H1 55W.
 : 24V - H1 70W.
 CURRENT CONSUMPTION : 4.6A AT 12V,
 : 3.0A AT 24V.
 FLASH RATE:- 120 - 240 PER MIN. (REG. 65.)
 ROTATION : CLOCKWISE FROM ABOVE.
 BEACON IS INSULATED RETURN.

DIMENSIONS IN MILLIMETRES
 DO NOT SCALE IF IN DOUBT - ASK

DRAWN IN ACCORDANCE WITH BS308

DIMENSIONAL TOLERANCES :

3RD ANGLE PROJECTION	METRIC DESIGN
----------------------	---------------

BRITAX (PMG) LTD
 BESSINGBY INDUSTRIAL ESTATE
 BRIDLINGTON
 NORTH HUMBERSIDE
 YO16 4SJ

DRAWN	DATE	CHECKED	SCALE
A.SHARP	16/02/93	R.W.	1:2

TITLE CUSTOMER DRAWING
 ROTATING BEACON
 BELT DRIVEN

A 3	PART No.	Sht No 1 of 2
	390	