



## BACK-UP ALARMS

### 500 SERIES Surface Mount

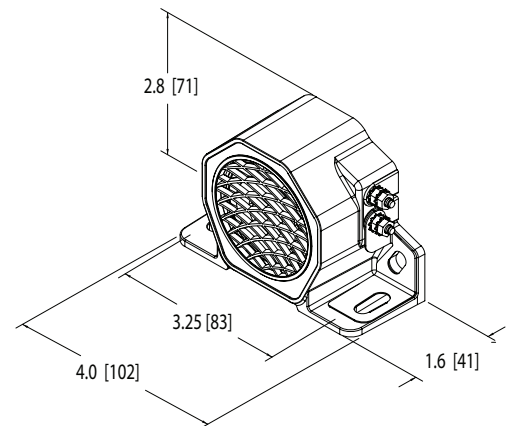
ECCO's most compact and popular line of back-up alarms, the 500 Series provides a cost-effective warning solution with ECCO quality, reliability and SAE certifications. A glass-filled nylon housing with epoxy-encapsulated electronics provide exceptional durability and protection against moisture, dust and vibration. ECCO's 500 Series Smart Alarm<sup>®</sup> measures ambient noise and adjusts sound levels, creating a volume that is safe without being annoying or contributing to noise pollution. Smart Alarms eliminate the need for constant manual adjustment and help prevent intentional alarm disconnection. Ask your local representative for any supporting documents and certifications.

#### Models

PART NO.	TYPE	CERTIFICATIONS	VOLTAGE	dB(A)	AMPS
SA951	Smart	CE, R10, UL	12-48	77-97	0.2
SA950	Smart	CE, R10, UL, IP65	12-24	82-102	0.4
505	-	SAE TYPE D, CE, R10, UL, IP65, AMECA	12-24	87	0.1
580	-	SAE TYPE D, CE, R10, UL, IP65, AMECA	12-80	87	0.1
510	-	SAE TYPE C, CE, R10, UL, IP65, AMECA	12	97	0.2
520	-	SAE TYPE C, CE, R10, UL, IP65, AMECA	12-24	97	0.2
585	-	SAE TYPE C, CE, R10, UL, AMECA	12-48	97	0.1
530	-	SAE TYPE F, CE, R10, UL, IP65, AMECA	12-24	102	1.0
575	-	SAE TYPE B, CE, R10, UL	12-24	107	0.9

#### Features and Benefits

- Compact size and universal mounting bracket maximizes location options
- Self grounding (except 575)
- Sealed in epoxy for protection against dust, moisture, and vibration
- Temperature Range: -40°F to +185°F (-40°C to +85°C)



#### Alarm Specifications

Connection: 8-32 uni stud connection  
 Fiberglass reinforced nylon housing  
 Recommended mounting bolt:  
     1/4" Grade 5  
 Recommended washer:  
     1/4" Type A, Series N or W  
 Recommended mounting torque:  
     76 in. lbs.