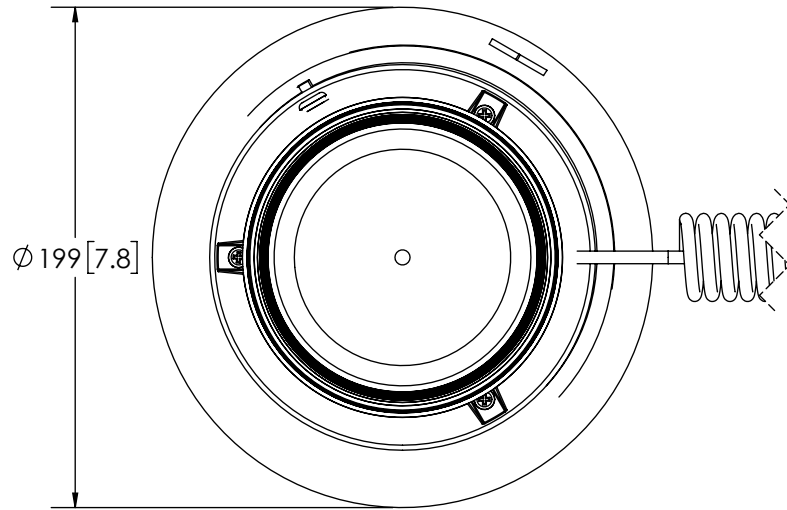
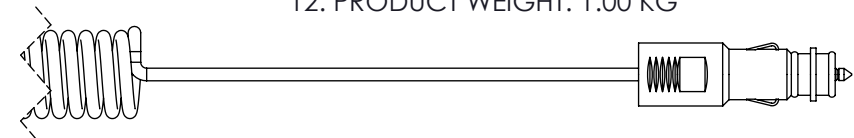
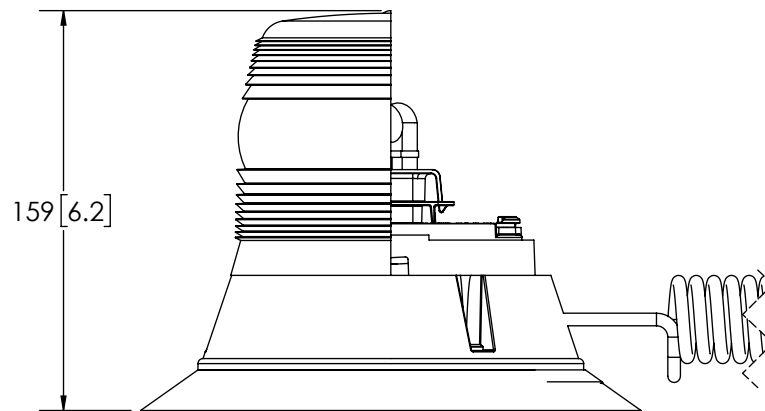


REVISION HISTORY		
REV.	DESCRIPTION	DATE
B	REVISED	2015-01-05
C	REVISE PER LC0349	2017-05-08
D	REVISE PER LC0362	2017-05-09




SPECIFICATIONS

- CERTIFICATIONS; R10 & R65 APPROVED
Note: Unique components, accessories and hardware kits are not typically included in the Product Certification test Protocols. Unless otherwise specified, The Product Certification referred to herein are predicated upon the base product model configuration.
- FLASH MODE: 125 (FPM) Double Flash
- VOLTAGE (NOMINAL): N/A
- VOLTAGE (EXTREME): 10 TO 30 VDC
- CURRENT (PEAK): 4.1 AMPS @ 12 VDC
(RMS MAXIMUM): 2.4 AMPS @ 12 VDC
- POWER (RMS MAXIMUM): 25 WATTS @ 10 VDC
35 WATTS @ 24 VDC
40 WATTS @ 30 VDC
- TEMPERATURE RANGE: -20°C TO 50°C
- CONNECTION: LIGHTER ADAPTOR
- MOUNTING: MAGNETIC 70 MPH
- BASE MATERIAL: POLYCARBONATE
- LENS MATERIAL: POLYCARBONATE/ ACRYLIC
- PRODUCT WEIGHT: 1.00 KG



- NOTES:
- CABLES AND WIRING NOT SHOWN
 - DIMENSIONS IN MILLIMETERS [INCHES (FOR REFERENCE)]
 - USE SUB ASSEMBLY (100-570.200) FOR MANUFACTURE

SCALE 1:3		APPROVALS	DATE
CAD GENERATED DRAWING DO NOT MANUALLY UPDATE. MODEL REFERENCED: C		DRAWN BY: LSH	2017-05-08
TOLERANCES ARE IN INCHES, AND MILLIMETERS TOLERANCES UNLESS OTHERWISE STATED ARE:		CHECKED: KDC	2017-05-09
MILLIMETERS DECIMALS XX ± 1.0mm XX.X ± 0.5mm	INCHES DECIMALS X.X ± 0.1 X.XX ± 0.04 X.XXX ± 0.02	MECH. ENG.	
	ANGLES ± 0.5°	ELEC. ENG.	
	FRACTIONS ± 1/64	TEST ENG.	
		SALES.	
THIRD ANGLE PROJECTION		 ECCO ® www.eccolink.com Americas (800) 635-5900 Europe +44 (0)113 237 5340 Asia Pacific +61 (0)3 63322444	
		BEACON, 400 SER, MAG, 70, AMBER, XENON, CLASS 1	
		CUSTOMER PART NO. 570.200	PRODUCT SERIES: 400
		SIZE: A4	DWG. NO. 570.200
		Project: VA CR 1725	Date Created: 2014-11-06
		Electronically Controlled Use Latest Copy SHEET 1 OF 1	
		REV. D	

NON DISCLOSURE AGREEMENT

THIS DRAWING AND THE DESIGN IT DISCLOSES ARE THE PRIVATE PROPERTY OF ELECTRONIC CONTROLS CO. AND IS ISSUED IN CONFIDENCE FOR ENGINEERING INFORMATION ONLY. THE DRAWING AND / OR DESIGN MAY NOT BE USED, COPIED, REPRODUCED, OR OTHERWISE DISCLOSED IN PART OR AS A WHOLE TO OUTSIDERS OR USED FOR ANY OTHER PURPOSE WITHOUT THE PRIOR WRITTEN CONSENT OF ELECTRONIC CONTROLS CO. THE DRAWING IS SUBJECT TO RECALL AT ANY TIME. YOUR POSSESSION OF THIS DOCUMENT CONSTITUTES ACCEPTANCE OF THESE TERMS. © 2017 ELECTRONIC CONTROLS CO.