

### Introduction:

The 13 Series R65 LED Lightbar has been designed with the customer in mind. It offers excellent value in terms of cost, performance and durability utilising the solid state, maintenance free, long life nature of LED technology. This range is robust and compact in the popular housing design.

It is available in four standard length options to suit all needs. All of our lightbars are designed and manufactured in the UK. The 13 Series is suitable for a variety of vehicles including large vehicles, recovery trucks, fleets and highway maintenance. Custom configurations are also available, Please contact us to discuss your specific requirements.

### Unpacking and Pre-Installation:

Carefully remove the lightbar and place it on a flat surface. Examine the unit for transit damage and locate all parts. If damage is found or parts are missing, contact the transit company or ECCO. Do not use damaged or broken parts.

Ensure the lightbar voltage is compatible with the planned installation.

**IMPORTANT!** Read all instructions before installing and using. Installer: This manual must be delivered to the end user. This manual assumes installation by a suitably qualified Automotive Technician.



**Do not install and/or operate this safety product unless you have read and understand the safety information contained in this manual.**

1. Proper installation combined with operator training in the use, care and maintenance of emergency warning devices are essential to ensure the safety of emergency personnel and the public.
2. Emergency warning devices often require high electrical voltages and/or currents. Exercise caution when working with live electrical connections.
3. This product must be properly grounded. Inadequate grounding and/or shorting of electrical connections can cause high current arcing, which can cause personal injury and/or severe vehicle damage, including fire.
4. Proper placement and installation is vital to the performance of this warning device. Install this product so that output performance of the system is maximized and the controls are placed within convenient reach of the operator so that s/he can operate the system without losing eye contact with the roadway.
5. It is the responsibility of the vehicle operator to ensure daily that all features of this product work correctly. In use, the vehicle operator should ensure the projection of the warning signal is not blocked by vehicle components (i.e., open trunks or compartment doors), people, vehicles or other obstructions.
6. The use of this or any other warning device does not ensure all drivers can or will observe or react to an emergency warning signal. Never take the right-of-way for granted. It is your responsibility to be sure you can proceed safely before entering an intersection, drive against traffic, respond at a high rate of speed, or walk on or around traffic lanes.
7. This equipment is intended for use by authorized personnel only. The user is responsible for understanding and obeying all laws regarding emergency warning devices. Therefore, the user should check all applicable city, state, and federal laws and regulations. The manufacturer assumes no liability for any loss resulting from the use of this warning device.
8. This product may contain high intensity LEDs staring directly into these lights could result in temporary and/or permanent vision impairment.



## WARNING!

Failure to install or use this product according to manufacturer's recommendations may result in property damage, serious bodily/personal injury, and/or death to you and those you are seeking to protect!

## Specifications:

Specifications:				
Length	770mm (30")	1000mm (39")	1250mm (49")	1500mm (59")
Height	85mm (3.3")	Width:	200mm (7.9")	
Voltage	12-24VDC			
Current Draw	Single LED ( Class I ) = Single LED ( Class II ) = Double LED ( Class I ) = Double LED ( Class II ) = Control Illumination =	0.30A Avg. @ 12VDC 0.80A Avg. @ 12VDC 0.40A Avg. @ 12VDC 1.20A Avg. @ 12VDC 0.10A Avg. @ 12VDC	Per Module	
Flash Patterns	10 (See chart)			

Available Flash Pattern Chart				
Sequence	Description	FPM	Class I	Class II (Available upon request)
1	Reg 65 Single	N/A	N/A	N/A
2	Reg 65 Double	123 FPM	✓	✓
3	Reg 65 Triple	123 FPM	✓	✓
4	Reg 65 Quad	123 FPM	✓	✓
5	Reg 65 8 Burst	123 FPM	✓	✓
6	Reg 65 Single Alternate	123 FPM	✓	✓
7	Reg 65 Double Alternate	123 FPM	✓	✓
8	Reg 65 Triple Alternate	123 FPM	✓	✓
9	Reg 65 Quad Alternate	123 FPM	✓	✓
10	Reg 65 8 Burst Alternate	123 FPM	N/A	N/A
11	Cruise/Steady Burn	N/A	N/A	N/A

Notes:  
EZ0006 Controller available for bars fitted with control cable only.

## Functionality, Installation & Mounting:

### Functionality:

#### 1. Flash Patterns

To change the flash pattern:

- 1.1 Have the L/bar flashing on the pattern that is to be changed.
- 1.2 Double tap Pattern Select Violet wire to positive, to unlock the functionality.
- 1.3 Every single tap between 0 and 1 sec will increment the pattern and between 1 and 5 sec will decrement it, accordingly to the Flash Pattern Table.
- 1.4 Last selected pattern will be saved.
- 1.5 Violet wire functionality will be locked if not used for 60 seconds.

#### 2. Centre Illumination

To turn centre illumination On, connect the Blue wire to positive voltage supply e.g. tail lights.

2.1 Without providing main power via Red wire\* to the L/bar, illumination will take approx 0.1 Amp per each illumination module through the Blue wire.

2.2 With the power present, current will be taken via the Red wire, while Blue will serve as driving signal only, taking approx 0.1 Amp.

\* Negative supply/Ground needs to be permanently connected to the Black wire.

### Mounting

Before proceeding with installation, plan all wiring and cable routing. Select the mounting location for the lightbar on a flat, smooth surface and center the unit across the width of the vehicle. The mounting location for the lightbar should be chosen such that the lightbar is level and visibility to approaching traffic is optimized.

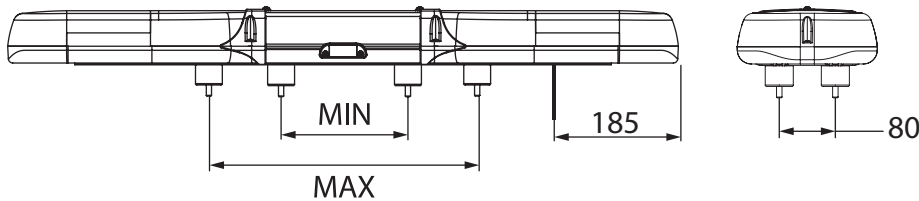


## Caution:

When drilling into any vehicle surface, make sure that the area is free from any electrical wires, fuel lines, vehicle upholstery, vehicle support members, etc. that could be damaged.

## Permanent Mounting

1. Determine the location of the lightbar and the best route for the wiring.



RANGE	MIN	MAX
770	300	500
1000	400	650
1250	600	900
1500	800	1050

2. Taking care not to scratch the vehicle paintwork, drill the vehicle panel to centres you require for your length of bar, making sure the holes miss any raised webs, internal trim or existing vehicle cables.

3. If the electrical wiring is to be installed beneath the light bar, drill an additional hole in panel and fit a suitable grommet prior to fixing the light bar.

### IMPORTANT: -

From the supplied mounting kit fit the 4 bolts into the mounting channels and slide them to the centres position you have drilled. Fit a washer, then the rubber foot onto the bolt and mount light bar to the panel, underneath the panel fit the remaining washer and nut onto the bolt and tighten to 1.5Nm.

## Wiring Instructions:

### Important!

Electrical cables can effect other equipment! Route product supply cables away from sensitive cables (E.G. Radio aerials and Anti-lock Braking Systems etc.) If this is not possible, cross the wires at a 90°.

### Important!

This unit is a safety device and it must be connected to its own separate, fused power point to assure its continued operation should any other electrical accessory fail. Do not wire in parallel with any other accessory.

### Notes:

1. Larger wires and tight connections will provide longer service life for components. For high current wires it is highly recommended that terminal blocks or soldered connections be used with shrink tubing to protect the connections. Do not use insulation displacement connectors (e.g., 3M Scotchlock type connectors).
2. Route wiring using grommets and sealant when passing through compartment walls. Minimize the number of splices to reduce voltage drop. High ambient temperatures (e.g., under-hood) will significantly reduce the current carrying capacity of wires, fuses, and circuit breakers. All wiring should conform to the minimum wire size and other recommendations of the manufacturer and be protected from moving parts and hot surfaces. Looms, grommets, cable ties, and similar installation hardware should be used to anchor and protect all wiring.
3. Fuses or circuit breakers should be located as close to the power takeoff points as possible and properly sized to protect the wiring and devices.
4. Particular attention should be paid to the location and method of making electrical connections and splices to protect these points from corrosion and loss of conductivity.
5. Ground termination should only be made to substantial chassis components, preferably directly to the vehicle battery.
6. Circuit breakers are very sensitive to high temperatures and will "false trip" when mounted in hot environments or operated close to their capacity.



### CAUTION!

Disconnect the battery before wiring up the lightbar, to prevent accidental shorting, arcing and/or electrical shock.

## General Wiring Instructions

Before attempting to connect the lightbar wiring harness, refer to the wiring diagram illustrated below. The wiring diagram describes the function for each separate wire.

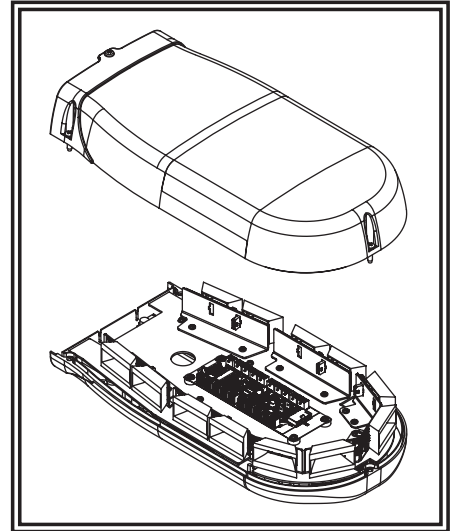
1. Route wires from the vehicle positive (battery, alternator, fuse block) to the switch panel in the cab. Use suitable high-temperature wire if it passes through the engine compartment. Install a suitable fuse as close to the point of tapped power as possible. For each circuit use a fuse according to the insert sheet.
2. Connect the wires to the positive side of the control switch panel with quick-connect terminals or by soldering.
3. After the lightbar has been mounted, route the wiring harness into the vehicle to the switch panel location.
4. Connect the wires of the lightbar wiring harness to the switched side of the switch. see the insert sheet for wire colour / function legend.
5. Connect the lightbar cable Black wire to a solid ground connection on the vehicle (ideally directly to the battery negative terminal).
6. Use cable ties and grommets to secure and protect all cables and wires.

## Options and Maintenance:

Occasional cleaning of the lenses will ensure optimum light output. Take care when cleaning lenses – although tough, polycarbonate scratches easily. Clean the lens and base with soap and water or a lens polish using a soft cloth. Do not use solvents as they may damage the polycarbonate. Do not subject the lightbar to high-pressure washers or automatic car washers.

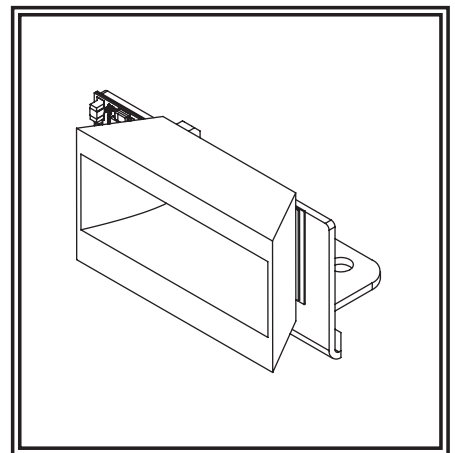
### Lens Removal and Installation

1. Remove the screws from the lenses/driver baffles, remove the driver baffle first and then pull the lens off.
2. Choose a suitable location to temporarily store the lens so as to not scratch the surface.
3. When reinstalling, gently apply pressure around the lens taking care not to damage the seal. Replace the screws.



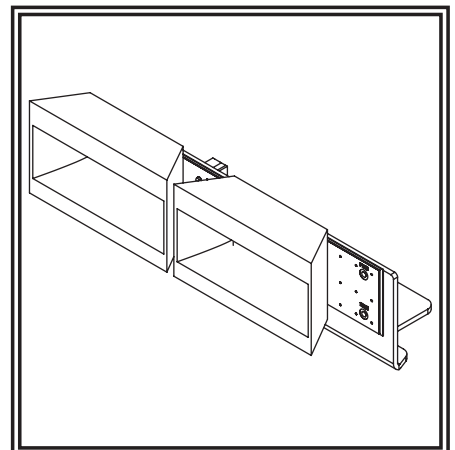
Warning single LED modules

ER5012 - Left LED  
ER5013 - Right LED



Warning Double LED modules

ER5014 - Right LED  
ER5015 - Left LED



The LED lightheads have been designed to ensure long service life using high performance LEDs. The modules are low profile units that have a high intensity output with low current draw. The LED lightheads can be mounted in the front, rear and corners of the lightbar.

<b>Replacement Kits</b>	
<b>Description</b>	<b>Part Number</b>
<b>Lenses</b>	
Replacement End Lens (Amber)	ER5016
Replacement End Lens (Clear)	ER5017
Replacement Centre Lens 1000mm/39" Lightbar (Amber)	ER5018
Replacement Centre Lens 1000mm/39" Lightbar (Clear)	ER5019
Replacement Centre Lens 1000mm/39" Lightbar (Opal)	ER5027
Replacement Centre Lens 1250mm/49" Lightbar (Amber)	ER5020
Replacement Centre Lens 1250mm/49" Lightbar (Clear)	ER5021
Replacement Centre Lens 1250mm/49" Lightbar (Opal)	ER5028
Replacement Centre Lens 1500mm/59" Lightbar (Amber)	ER5022
Replacement Centre Lens 1500mm/59" Lightbar (Clear)	ER5023
Replacement Centre Lens 1500mm/59" Lightbar (Opal)	ER5029
<b>Dividers/Baffles &amp; Lens Latch</b>	
Replacement Single Baffle	ER5024
Replacement Double-sided Baffle	ER5025
Replacement Front/Rear Central Lens Latch (Pair)	ER5026
<b>LED's</b>	
Replacement Single LED Left (Amber)	ER5012
Replacement Single LED Right (Amber)	ER5013
Replacement Double LED Right (Amber)	ER5014
Replacement Double LED Left (Amber)	ER5015
<b>Driver/PSU</b>	
Replacement PSU Kit 13 Series	ER5011

---

## WARRANTY

### **Manufacturer Limited Warranty and Limitation of Liability:**

Manufacturer warrants that on the date of purchase this product will conform to Manufacturer's specifications for this product (which are available from the Manufacturer upon request). This Limited Warranty extends for twenty-four (24) months from the date of purchase.

DAMAGE TO PARTS OR PRODUCTS RESULTING FROM TAMPERING, ACCIDENT, ABUSE, MISUSE, NEGLIGENCE, UNAPPROVED MODIFICATIONS, FIRE OR OTHER HAZARD; IMPROPER INSTALLATION OR OPERATION; OR NOT BEING MAINTAINED IN ACCORDANCE WITH THE MAINTENANCE PROCEDURES SET FORTH IN MANUFACTURER'S INSTALLATION AND OPERATING INSTRUCTIONS VOIDS THIS LIMITED WARRANTY.

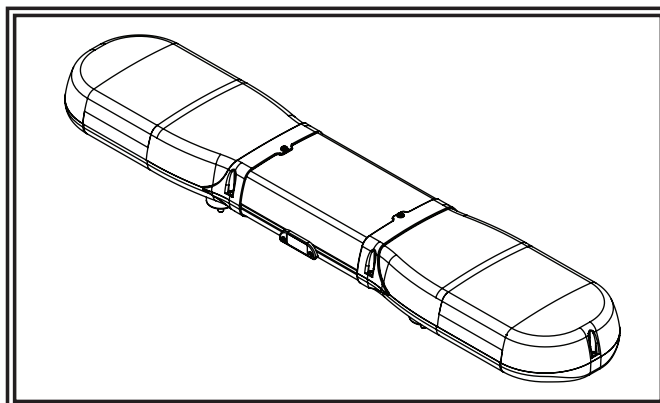
### **Exclusion of Other Warranties:**

MANUFACTURER MAKES NO OTHER WARRANTIES, EXPRESS OR IMPLIED. THE IMPLIED WARRANTIES FOR MERCHANTABILITY, QUALITY OR FITNESS FOR A PARTICULAR PURPOSE, OR ARISING FROM A COURSE OF DEALING, USAGE OR TRADE PRACTICE ARE HEREBY EXCLUDED AND SHALL NOT APPLY TO THE PRODUCT AND ARE HEREBY DISCLAIMED, EXCEPT TO THE EXTENT PROHIBITED BY APPLICABLE LAW. ORAL STATEMENTS OR REPRESENTATIONS ABOUT THE PRODUCT DO NOT CONSTITUTE WARRANTIES.

### **Remedies and Limitation of Liability:**

MANUFACTURER'S SOLE LIABILITY AND BUYER'S EXCLUSIVE REMEDY IN CONTRACT, TORT (INCLUDING NEGLIGENCE), OR UNDER ANY OTHER THEORY AGAINST MANUFACTURER REGARDING THE PRODUCT AND ITS USE SHALL BE, AT MANUFACTURER'S DISCRETION, THE REPLACEMENT OR REPAIR OF THE PRODUCT, OR THE REFUND OF THE PURCHASE PRICE PAID BY BUYER FOR NON-CONFORMING PRODUCT. IN NO EVENT SHALL MANUFACTURER'S LIABILITY ARISING OUT OF THIS LIMITED WARRANTY OR ANY OTHER CLAIM RELATED TO THE MANUFACTURER'S PRODUCTS EXCEED THE AMOUNT PAID FOR THE PRODUCT BY BUYER AT THE TIME OF THE ORIGINAL PURCHASE. IN NO EVENT SHALL MANUFACTURER BE LIABLE FOR LOST PROFITS, THE COST OF SUBSTITUTE EQUIPMENT OR LABOR, PROPERTY DAMAGE, OR OTHER SPECIAL, CONSEQUENTIAL, OR INCIDENTAL DAMAGES BASED UPON ANY CLAIM FOR BREACH OF CONTRACT, IMPROPER INSTALLATION, NEGLIGENCE, OR OTHER CLAIM, EVEN IF MANUFACTURER OR A MANUFACTURER'S REPRESENTATIVE HAS BEEN ADVISED OF THE POSSIBILITY OF SUCH DAMAGES. MANUFACTURER SHALL HAVE NO FURTHER OBLIGATION OR LIABILITY WITH RESPECT TO THE PRODUCT OR ITS SALE, OPERATION AND USE, AND MANUFACTURER NEITHER ASSUMES NOR AUTHORIZES THE ASSUMPTION OF ANY OTHER OBLIGATION OR LIABILITY IN CONNECTION WITH SUCH PRODUCT.

This Limited Warranty defines specific legal rights. You may have other legal rights which vary from jurisdiction to jurisdiction. Some jurisdictions do not allow the exclusion or limitation of incidental or consequential damages.



### Einleitung:

Bei der Entwicklung der LED-Lichtleiste R65 der Baureihe 13 standen die Anforderungen des Kunden im Vordergrund. Sie zeichnet sich in Bezug auf Kosten, Leistung und Beständigkeit aus, da sie eine wartungsfreie, auf lange Lebensdauer ausgerichtete Halbleiter-LED-Technologie verwendet. Diese Baureihe in der beliebten Gehäuse-Konstruktion ist robust und kompakt.

Sie ist in vier Standardlängen erhältlich und somit für alle Anforderungen geeignet. Unsere Lichtbalken werden ausschließlich im Vereinigten Königreich entwickelt und hergestellt. Die Baureihe 13 ist für viele unterschiedliche Fahrzeuge ausgelegt; unter anderem auch für große Fahrzeuge, Abschleppwagen, Fuhrpark- und Autobahn-Instandhaltung. Zum Angebot gehören auch kundenspezifische Konfigurationen. Bitte setzen Sie sich mit uns in Verbindung, um Ihre individuellen Anforderungen zu besprechen.

### Auspacken und Einbauvorbereitung:

Entfernen Sie vorsichtig den Lichtbalken, und platzieren Sie ihn auf einer flachen Oberfläche. Überprüfen Sie das Gerät auf Transportschäden und Vollständigkeit aller Teile. Wenden Sie sich an das Transportunternehmen oder an ECCO, falls Beschädigungen vorhanden sind oder Teile fehlen. Beschädigte oder defekte Teile nicht verwenden.

Sicherstellen, dass die Spannung des Lichtbalkens mit der geplanten Installation kompatibel ist.

**WICHTIG!** Vor Installation und Verwendung alle Anweisungen lesen. Inbetriebnahmetechniker: Dieses Handbuch muss dem Endanwender vorliegen. Dieses Handbuch setzt voraus, dass die Installation von einem ausreichend qualifizierten Automobiltechniker ausgeführt wird.



**Dieses Sicherheitsprodukt nur installieren und/oder in Betrieb nehmen, wenn die in diesem Handbuch aufgeführten Sicherheitshinweise gelesen und verstanden wurden.**

1. Eine korrekte Installation in Verbindung mit einer Schulung des Bedieners in Bezug auf Verwendung, Pflege und Wartung des Notfall-Warngerätes ist besonders wichtig, um die Sicherheit der Rettungskräfte und der Öffentlichkeit zu gewährleisten.
2. Notfall-Warngeräte erfordern häufig höhere Spannungen und/oder Stromstärken. Seien Sie vorsichtig im Umgang mit den stromführenden Anschlüssen.
3. Dieses Produkt muss korrekt geerdet werden. Eine unangemessene Erdung und/oder ein Kurzschluss der elektrischen Verbindungen kann einen Überschlag herbeiführen, der Verletzungen und/oder gravierende Beschädigungen des Fahrzeugs (bis hin zu einem Feuer) verursachen kann.
4. Eine angemessene Platzierung und Installation spielt eine entscheidende Rolle für die Leistung dieses Warngerätes. Positionieren Sie dieses Produkt so, dass die maximale Ausgangsleistung des Systems erreicht wird, und die Bedienelemente vom Bediener gut erreichbar sind, so dass er/sie das System bedienen kann, ohne dazu den Augenkontakt von der Straße abwenden zu müssen.
5. Der Fahrzeugführer trägt jeden Tag die Verantwortung dafür, dass alle Funktionen dieses Produkts korrekt funktionieren. Bei der Verwendung muss der Fahrzeugführer sicherstellen, dass die Projektion des Warnsignals nicht durch Fahrzeugbauteile (wie zum Beispiel geöffnete Kofferraumklappe oder Türen), Personen, Fahrzeuge oder sonstige Hindernisse blockiert wird.
6. Durch die Verwendung dieses oder aller anderen Warngeräte ist nicht gewährleistet, dass alle Fahrer bei einem Notfallsignal richtig reagieren können oder werden. Nehmen Sie Ihr Vorfahrtsrecht niemals für selbstverständlich. Sie müssen verantwortungsbewusst sicherstellen, dass Sie gefahrlos in eine Kreuzung einfahren, bei starkem Verkehr fahren, bei hoher Geschwindigkeit reagieren oder an oder auf Fahrstreifen gehen können.
7. Dieses System ist nur für die Verwendung durch autorisiertes Personal vorgesehen. Der Benutzer trägt die Verantwortung dafür, dass alle Gesetze in Bezug auf Notfallwarneinrichtungen verstanden und beachtet werden. Daher muss der Benutzer alle anwendbaren Gesetze und Vorschriften auf Kommunal- sowie Landes- und Bundesebene überprüfen. Der Hersteller übernimmt keine Haftung für Verluste, die aus der Verwendung dieser Warnanlage resultieren.
8. Dieses Produkt enthält ggf. äußerst intensive LEDs. Direkt in dieses Licht zu schauen, kann eine temporäre und/oder dauerhafte Sehbehinderung zur Folge haben.



## ACHTUNG!

Das Versäumen, dieses Produkt in Übereinstimmung mit den Empfehlungen des Herstellers zu montieren oder zu verwenden, kann Sachschäden sowie bei Ihnen und den Personen, die Sie schützen möchten, gravierende und/oder tödliche Verletzungen verursachen.

### Technische Daten:

Technische Daten:				
Länge	770 mm (30")	1000 mm (39")	1250 mm (49")	1500 mm (59")
Höhe	85 mm (3,3")	Breite:	200 mm (7,9")	
Spannung	12-24 V GS			
Leistungsaufnahme	Einzelne LED ( Klasse I ) = Einzelne LED ( Klasse II ) = Doppelte LED ( Klasse I ) = Doppelte LED ( Klasse II ) =	Durchschn. 0,30 A bei 12 V GS Durchschn. 0,80 A bei 12 V GS Durchschn. 0,40 A bei 12 V GS Durchschn. 1,20 A bei 12 V GS	Pro Modul	
Blinkmuster	10 (Siehe Graphik)			

Verfügbar Darstellung der Blinkmuster				
Reihenfolge	Beschreibung	FPM	Klasse I	Klasse II (Auf Anfrage erhältlich)
1	Dauerhaftes Aufleuchten	ENTF.	ENTF.	ENTF.
2	Einzel (Alle ein)	123 FPM	✓	✓
3	Doppelt (Alle ein)	123 FPM	✓	✓
4	Dreifach (Alle ein)	123 FPM	✓	✓
5	Vierfach (Alle ein)	123 FPM	✓	✓
6	Einzel (Alternierend L/R)	123 FPM	✓	✓
7	Doppelt (Alternierend L/R)	123 FPM	✓	✓
8	Dreifach (Alternierend L/R)	123 FPM	✓	✓
9	Vierfach (Alternierend L/R)	123 FPM	✓	✓
10	ICAO / CAP168 Flughafen	60 FPM	ENTF.	ENTF.

Hinweise: Das Flash-Muster 10 (ICAO) ist nur auf von ICAO angeforderten Lichtbalken verfügbar. ECCO Katalogvarianten, die mit Klasse I Flash Patterns.

Der Regler EZ0006 ist nur für Stangen mit Steuerkabel verfügbar.

### Installations- und Montageanweisungen:

#### Montage

Vor der Montage die gesamte Verdrahtung und Kabelführung planen. Die Einbauposition für den Lichtbalken auf einer flachen und glatten Oberfläche auswählen und das Gerät auf der Fahrzeugbreite zentrieren. Die Befestigungsposition für den Lichtbalken sollte so ausgewählt werden, dass der Lichtbalken waagrecht und für optimale Sichtbarkeit für den Gegenverkehr ausgerichtet ist.

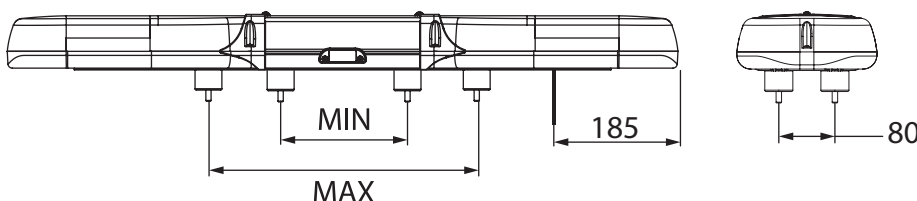


#### Vorsicht:

Beim Bohren in die Oberfläche des Fahrzeugs muss sichergestellt werden, dass weder Stromkabel, Kraftstoffleitungen oder Polsterungen noch tragende Teile des Fahrzeugs etc. beschädigt werden können.

#### Dauerhafte Befestigung

1. Die Position der Lichtleiste und die optimale Verkabelungsführung festlegen.



SORTIMENT	MIN	MAX.
770	300	500
1000	400	650
1250	600	900
1500	800	1050



2. Darauf achten, dass die Fahrzeuglackierung nicht beschädigt wird. Die Fahrzeugleiste gemäß Länge der Leiste bohren und dabei sicherstellen, dass die Bohrungen alle erhöhten Gewebe sowie die interne Verkleidung und vorhandene Fahrzeugkabel verfehlen.
3. Wenn die elektrische Verkabelung unter der Lichtleiste erfolgen muss, ein zusätzliches Loch in die Tafel bohren und vor der Montage der Lichtleiste eine zusätzliche Tülle anbringen.

#### **WICHTIG: -**

Die vier Schrauben aus dem mitgelieferten Einbausatz in den Befestigungskanälen anbringen und in die Mittelposition schieben, die Sie gebohrt haben. Eine Unterlegscheibe und den Gummifuß auf der Schraube anbringen, und anschließend die Lichtleiste am Panel anbringen. Unter dem Panel die übrige Unterlegscheibe und Mutter auf der Schraube anbringen und mit 1,5 Nm anziehen.

### **Verkabelungsanweisungen:**

#### **Wichtig!**

Elektrische Leitungen können andere elektrische Geräte beeinflussen. Verlegen Sie Kabel immer möglichst entfernt von störanfälligen elektrischen Leitungen (z.B. Radioantennen, Antiblockiersysteme etc.). Sollte das nicht möglich sein, kreuzen Sie die Kabel 90°, um den direkten Kontakt so weit wie möglich zu vermeiden.

#### **Wichtig!**

Dieses Gerät ist eine Sicherheitseinrichtung und muss an einen separaten gesicherten Stromanschluss angeschlossen werden, um selbst bei einem Ausfall der anderen elektrischen Zusatzgeräte einen kontinuierlichen Betrieb zu gewährleisten. Nicht parallel mit anderen Zubehörgeräten verdrahten.

#### **Hinweise:**

1. Größere Drähte und feste Verbindungen sorgen für eine längere Nutzungsdauer der Komponenten. Bei Hochspannungskabeln wird dringend empfohlen, die Klemmenleisten oder Lötverbindungen mit Schrumpfkabel zu verwenden, um die Verbindungen zu schützen. Niemals Isolierungsverdränger-Steckverbinder verwenden (z. B. Steckverbinder vom Typ 3M Scotchlock).
2. Die Verdrahtung mit Tüllen und Dichtungen verlegen, wenn sie durch Trennwände verlegt wird. Die Anzahl der Verspleißungen minimieren, um Spannungsabfälle zu verringern. Hohe Umgebungstemperaturen (z. B. unter der Motorhaube) werden die Stromführungskapazität der Drähte, Sicherungen und Leistungsschalter erheblich vermindern. Die gesamte Verdrahtung muss der Mindest-Drahtgröße und anderen Empfehlungen des Herstellers entsprechen und vor beweglichen Teilen und heißen Oberflächen geschützt werden. Die gesamte Verdrahtung muss mit Schleifen, Gummi-Tüllen, Kabelbindern und ähnlichen Befestigungen verankert und geschützt werden.
3. Sicherungen und Leistungsschalter müssen zum Schutz der Verkabelung und der Geräte so nahe wie möglich an den Stromabnahmestellen positioniert und angemessen dimensioniert sein.
4. Eine besondere Aufmerksamkeit ist für die Positionierung und das Verfahren zur Herstellung der elektrischen Verbindung und Verspleißungen erforderlich, um diese Stellen vor Korrosion und Verlust der Leitfähigkeit zu schützen.
5. Erdungsanschlüsse dürfen nur an erheblichen Bauteilen der Karosserie hergestellt werden, vorzugsweise direkt an der Fahrzeugbatterie.
6. Überstromschalter reagieren empfindlich auf hohe Temperaturen und verursachen einen „Fehlalarm“, wenn sie in Bereichen mit hohen Temperaturen montiert oder im Bereich ihrer maximalen Kapazität betrieben werden.



#### **VORSICHT!**

**Die Batterie vor der Verdrahtung der Lichtleiste abklemmen, um versehentliche Kurzschlüsse, Überschlüsse und/oder Stromschläge zu vermeiden.**

### **Allgemeine Verkabelungsanweisungen**

Bevor der Versuch unternommen wird, den Kabelbaum der Lichtleiste anzuschließen, muss der nachfolgend dargestellte Schaltplan beachtet werden. Der Schaltplan beschreibt die Funktion der einzelnen separaten Drähte.

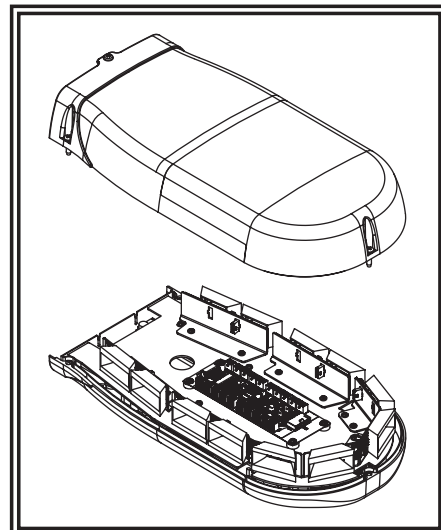
1. Die Drähte vom Fahrzeug-Pluspol (Batterie, Lichtmaschine, Sicherungsblock) an die Schalttafel in der Fahrgastzelle verlegen. Geeignete Hochtemperaturkabel verwenden, wenn sie durch den Motorraum geführt werden. Eine geeignete Sicherung so nahe wie möglich an der Position der abgegriffenen Spannung anbringen. Für jeden Schaltkreis eine Sicherung gemäß Datenblatt verwenden.
2. Die Drähte an der positiven Seite des Bedienfeldes durch Löten oder mit Schnellkupplungen anschließen.
3. Nachdem die Lichtleiste montiert wurde, den Kabelbaum in das Fahrzeug an die Position der Schalttafel verlegen.
4. Die Drähte des Lichtleisten-Kabelbaums an die geschaltete Seite des Schalters anschließen. Die Kabel-Farbebelegung / Funktion ist der Legende im Datenblatt zu entnehmen.
5. Den schwarzen Draht des Lichtleistenkabels an einen massiven Erdanschluss des Fahrzeugs anschließen (im Idealfall direkt an den Batterie-Minuspol).
6. Alle Kabel und Drähte mit Kabelbindern und Gummi-Tüllen schützen.

## Optionen und Wartung:

Eine gelegentliche Reinigung der Streuscheiben sorgt für eine optimale Lichtausbeute. Vorsicht bei der Reinigung der Streuscheibe: Obwohl es ein hartes Material ist, kann Polykarbonat sehr leicht zerkratzen. Lichtscheibe und Basis mit Seife und Wasser oder einer Lichtscheibenpolitur und einem weichen Tuch reinigen. Keine Lösungsmittel verwenden, die das Polykarbonat beschädigen könnten. Die Lichtscheibe keinem Hochdruckreiniger oder einer Autowaschanlage aussetzen.

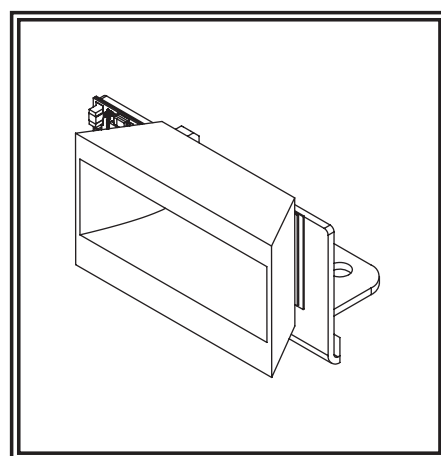
### Aus- und Einbau der Lichtscheibe

1. Die Schrauben von den Streuscheiben/Abweisern entfernen, dann zunächst den Abweiser entfernen und dann die Streuscheibe abziehen.
2. Eine geeignete Position zur vorübergehenden Lagerung der Streuscheibe auswählen, damit die Oberfläche nicht zerkratzt wird.
3. Beim Wiedereinbau einen leichten Druck im Bereich der Streuscheibe ausüben und dabei darauf achten, dass die Dichtung nicht beschädigt wird. Die Schrauben wieder anbringen.



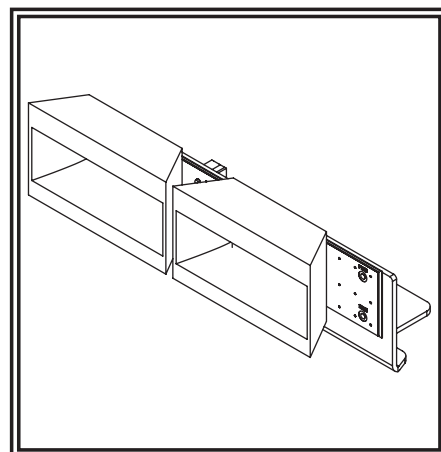
Warnung Modul mit Einzel-LED

ER5012 - LED links  
ER5013 - LED rechts



Warnung Modul mit Doppel-LED

ER5014 - LED rechts  
ER5015 - LED links



Die LED-Lichtköpfe sind so konzipiert, dass sie bei Verwendung von Hochleistungs-LEDs eine lange Nutzungsdauer gewährleisten. Die Module haben ein niedriges Profil und eine hohe Ausbeute mit geringer Leistungsaufnahme. Die LED-Lichtköpfe können vor, hinter und in den Ecken der Lichtleiste angebracht werden.

<b>Ersatz-Sets</b>	
<b>Beschreibung</b>	<b>Teil-Nummer</b>
<b>Lichtscheiben</b>	
Ersatz-Lichtscheibe (Gelb)	ER5016
Ersatz-Lichtscheibe (Klar)	ER5017
Ersatz-Lichtscheibe mittig, 1000 mm/39" Lichtleiste (Gelb)	ER5018
Ersatz-Lichtscheibe mittig, 1000 mm/39" Lichtleiste (Klar)	ER5019
Ersatz-Lichtscheibe mittig, 1000 mm/39" Lichtleiste (Opal)	ER5027
Ersatz-Lichtscheibe mittig, 1250 mm/49" Lichtleiste (Gelb)	ER5020
Ersatz-Lichtscheibe mittig, 1250 mm/49" Lichtleiste (Klar)	ER5021
Ersatz-Lichtscheibe mittig, 1250 mm/49" Lichtleiste (Opal)	ER5028
Ersatz-Lichtscheibe mittig, 1500 mm/59" Lichtleiste (Gelb)	ER5022
Ersatz-Lichtscheibe mittig, 1500 mm/59" Lichtleiste (Klar)	ER5023
Ersatz-Lichtscheibe mittig, 1500 mm/59" Lichtleiste (Opal)	ER5029
<b>Abweiser- &amp; Streuscheibenarretierung</b>	
Ersatz-Einzelablenkblech	ER5024
Ersatz für Doppelseitiges Ablenkblech	ER5025
Ersatz Mittel-Streuscheibenarretierung vorne & Hinten (Paar)	ER5026
<b>LEDs</b>	
Ersatz Einzel-LED Links (Gelb)	ER5012
Ersatz Einzel-LED Rechts (Gelb)	ER5013
Ersatz Doppel-LED Rechts (Gelb)	ER5014
Ersatz Doppel-LED Links (Gelb)	ER5015
<b>Treiber/Netzgerät</b>	
Ersatz-Netzgerät Baureihe 13	ER5011

## GARANTIE

### **Eingeschränkte Herstellergarantie und Haftungsbeschränkung:**

Der Hersteller garantiert, dass dieses Produkt am Datum der Herstellung den Technischen Daten dieses Produkts (die auf Anfrage vom Hersteller erhältlich sind) entspricht. Diese eingeschränkte Garantie gilt während eines Zeitraum von vierundzwanzig (24) Monaten ab dem Kaufdatum.

DURCH SCHÄDEN AN TEILEN ODER PRODUKTEN, DIE AUF MANIPULATION, UNFALL, MISSBRAUCH, FALSCHER VERWENDUNG, FAHRLÄSSIGKEIT, UNZULÄSSIGE MODIFIKATIONEN, FEUER ODER SONSTIGE GEFAHREN, UNSACHGEMÄSSE INSTALLATION ODER INBETRIEBNAHME ODER DIE NICHT IN ÜBEREINSTIMMUNG MIT DER IN DER EINBAU- UND BETRIEBSANLEITUNG DES HERSTELLERS AUFGEFÜHRTE WARTUNGSANWEISUNG ERFOLGTE WARTUNG ZURÜCKZUFÜHREN SIND, VERLIERT DIESE EINGESCHRÄNKTE GARANTIE IHRE GÜLTIGKEIT.

### **Ausschluss sonstiger Garantien:**

DER HERSTELLER GIBT KEINE WEITEREN AUSDRÜCKLICHEN ODER IMPLIZIERTEN GARANTIE. DIE IMPLIZIERTEN GARANTIE FÜR MARKTGÄNGIGKEIT, QUALITÄT ODER EIGNUNG FÜR EINEN BESTIMMTEN ZWECK ODER AUFGRUND EINER VEREINBARUNG, EINER VERWENDUNG ODER EINER GÄNGIGEN PRAXIS WERDEN HIERMIT AUSGESCHLOSSEN, GELTEN NICHT FÜR DAS PRODUKT UND WERDEN HIERMIT IN DEM NACH GELTENDEM RECHT MAXIMAL ZULÄSSIGEN UMFANG ZURÜCKGEWIESEN. MÜNDLICHE ERKLÄRUNGEN ODER ZUSICHERUNGEN ZUM PRODUKT STELLEN KEINE GARANTIE DAR.

### **Abhilfe und Haftungsbeschränkung:**

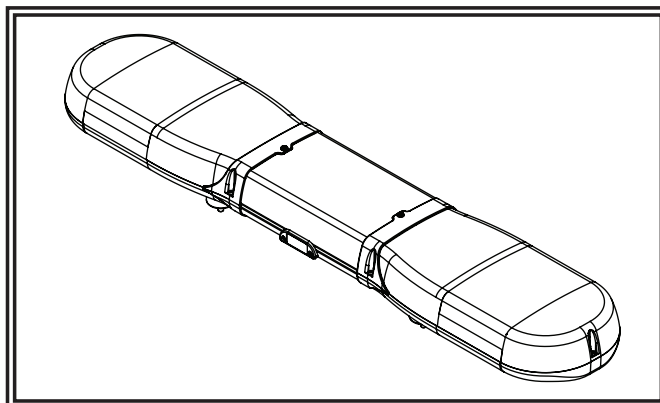
DIE EINZIGE HAFTUNG VON SEITEN DES HERSTELLERS UND DER AUSSCHLIESSLICHE RECHTSBEHELF VON SEITEN DES KÄUFERS BEI SCHÄDEN (EINSCHLIESSLICH FAHRLÄSSIGKEIT) ODER IM RAHMEN ANDERER THEORIEN GEGEN DEN HERSTELLER IM ZUSAMMENHANG MIT DEM PRODUKT UND DESSEN VERWENDUNG BESCHRÄNKT SICH - NACH ERMESSEN DES HERSTELLERS - AUF DEN ERSATZ ODER DIE REPARATUR DES PRODUKTS ODER DIE ERSTATTUNG DES VOM KÄUFER FÜR DAS NICHT KONFORME PRODUKT BEZAHLTEN KAUFPREISES. DIE AUS DIESER EINGESCHRÄNKTEN GARANTIE ODER EINEM SONSTIGEN ANSPRUCH IM ZUSAMMENHANG MIT DEN PRODUKTEN DES HERSTELLERS RESULTIERENDE HAFTUNG DES HERSTELLERS KANN UNTER KEINEN UMSTÄNDEN HÖHER SEIN ALS DER BETRAG, DEN DER KÄUFER FÜR DAS PRODUKT ZUM ZEITPUNKT DES URSPRÜNGLICHEN ERWERBS BEZAHLT HAT. SELBST WENN DER HERSTELLER ODER EIN VERTRETER AUF DIE MÖGLICHKEIT EVENTUELLER SCHÄDEN HINGEWIESEN WURDE, HAFTET DER HERSTELLER UNTER KEINEN UMSTÄNDEN FÜR GEWINNEINBUSSEN, KOSTEN FÜR ERSATZANLAGEN ODER -LABOR, SACHSCHÄDEN ODER ANDERE SONDER- ODER FOLGESCHÄDEN, DIE AUS EINEM ANSPRUCH WEGEN VERTRAGSBRUCH, UNSACHGEMÄSSE INSTALLATION, FAHRLÄSSIGKEIT ODER SONSTIGEN ANSPRÜCHEN RESULTIEREN. DER HERSTELLER UNTERLIEGT IN BEZUG AUF DAS PRODUKT ODER DESSEN VERKAUF, BETRIEB UND VERWENDUNG KEINEN WEITEREN VERPFLICHTUNGEN ODER HAFTUNGEN, UND WIRD JEDLICHE ÜBERNAHME SONSTIGER VERPFLICHTUNGEN ODER HAFTUNGEN IM ZUSAMMENHANG MIT DIESEM PRODUKT WEDER AKZEPTIEREN NOCH AUTORISIEREN.

Diese eingeschränkte Garantie verleiht Ihnen bestimmte Rechte; gegebenenfalls stehen Ihnen weitere Rechte zu, die sich je nach Gerichtsbarkeit unterschiedlich darstellen. In einigen Rechtsprechungen sind Ausschluss oder Einschränkung der Haftung für direkte oder indirekte Schäden nicht zulässig.



# ECCO®

## Instrucciones de instalación y funcionamiento Barras de Luces Serie 13



### Introducción:

La barra de luces LED R65 Serie 13 se ha diseñado pensando en el cliente. Ofrece un excelente valor en términos de coste, rendimiento y durabilidad mediante el uso de tecnología LED de estado sólido, sin mantenimiento y de larga duración. Es una gama sólida y compacta con diseño exterior muy popular.

Está disponible en cuatro longitudes estándar para satisfacer todas las necesidades. Todas nuestras barras de luces están diseñadas y fabricadas en el Reino Unido. La Serie 13 es apta para distintos vehículos, incluidos vehículos grandes, camiones de rescate, flotas y mantenimiento de carreteras. También están disponibles configuraciones personalizadas. Póngase en contacto con nosotros para indicarnos sus requisitos concretos.

### Desembalado y preinstalación:

Saque con cuidado la barra de luces y colóquela en una superficie plana. Examine la unidad para comprobar si ha sido dañada durante el envío y localice todas las piezas. Si advierte daños o faltan piezas, póngase en contacto con la empresa de transporte o con ECCO. No utilice piezas dañadas o rotas.

Compruebe que el voltaje de la barra de luces sea compatible con la instalación prevista.

**¡IMPORTANTE!** Lea todas las instrucciones antes de instalar y utilizar el producto. Instalador: Este manual deberá entregarse al usuario final. Este manual asume que la instalación ha sido realizada por un técnico de automóvil debidamente cualificado.



**No instale ni ponga en funcionamiento este producto de seguridad hasta haber leído y comprender la información sobre seguridad contenida en este manual.**

1. Una instalación correcta y una adecuada formación del operario sobre el uso, cuidado y mantenimiento de los dispositivos de advertencia de emergencia son esenciales para garantizar la seguridad del personal de emergencia y del público.
2. Los dispositivos de emergencia suelen precisar elevadas tensiones y/o corrientes eléctricas. Tenga precaución al trabajar con conectores eléctricos con corriente.
3. Este producto debe estar adecuadamente conectado a tierra. Una conexión a tierra inadecuada y/o un cortocircuito de las conexiones eléctricas puede provocar arcos eléctricos de elevada corriente, que pueden provocar lesiones personales y/o daños graves al vehículo, incluido fuego.
4. Una adecuada colocación e instalación es fundamental para el rendimiento de este dispositivo de advertencia. Instale este producto de modo que el rendimiento de salida del sistema se vean maximizados y los controles estén al alcance del operario de modo que pueda hacer funcionar el sistema sin perder contacto visual con la carretera.
5. Es responsabilidad del operario del vehículo comprobar el correcto funcionamiento diario de todas las características de este producto. Durante el uso, el operario del vehículo deberá asegurarse de que la señal de advertencia no se vea bloqueada por otros componentes del vehículo (maleteros o puertas de compartimentos abiertas), personas, vehículos u otras obstrucciones.
6. El uso de este u otro dispositivo de advertencia no garantiza que todos los conductores puedan observar o reaccionar a una señal de advertencia de emergencia. No asuma que tiene la preferencia. Es su responsabilidad asegurarse de poder proceder con seguridad antes de entrar en un cruce, conducir en sentido contrario al tráfico, responder a velocidad elevada o caminar en o alrededor de los carriles del tráfico.
7. Este equipo está previsto solo para su uso por parte de personal autorizado. El usuario es responsable de comprender y cumplir todas las normas sobre dispositivos de señalización de advertencia. Por tanto, el usuario deberá consultar todas las leyes y normas municipales, autonómicas o nacionales aplicables. El fabricante no asume responsabilidad alguna por pérdidas debidas al uso de este dispositivo de advertencia.
8. Este producto puede contener LEDs de alta intensidad. Mirar directamente estas luces puede producir falta de visión temporal y/o permanente.



## ¡ADVERTENCIA!

Instalar este producto de forma distinta a la recomendada por el fabricante puede tener como resultado daños en propiedades, lesiones personales/corporales graves y/o la muerte suya y de las personas que trata de proteger.

### Especificaciones:

Especificaciones:				
Largo	770 mm (30")	1000 mm (39")	1250 mm (49")	1500 mm (59")
Alto	85 mm (3,3")	Ancho	200 mm (7,9")	
Voltaje	12-24 VDC			
Consumo de corriente	LED único (Clase I) = LED único (Clase II) = LED doble (Clase I) = LED doble (Clase II) =	0,30 A promedio a 12 VDC 0,80 A promedio a 12 VDC 0,40 A promedio a 12 VDC 1,20 A promedio a 12 VDC	Por módulo	
Patrones de destello	10 (Ver tabla)			

Tabla de patrones de destello Disponible				
Secuencia	Descripción	Destellos por minuto	Clase I	Clase II (Disponible bajo petición)
1	Encendido constante	N/D	N/D	N/D
2	Único (todos encendidos)	123 destellos por minuto	✓	✓
3	Doble (todos encendidos)	123 destellos por minuto	✓	✓
4	Triple (todos encendidos)	123 destellos por minuto	✓	✓
5	Cuád. (todos encendidos)	123 destellos por minuto	✓	✓
6	Único (alt. iz./der.)	123 destellos por minuto	✓	✓
7	Doble (alt. iz./der.)	123 destellos por minuto	✓	✓
8	Triple (alt. iz./der.)	123 destellos por minuto	✓	✓
9	Cuád. (alt. iz./der.)	123 destellos por minuto	✓	✓
10	ICAO / CAP168 Aeropuerto	60 destellos por minuto	N/D	N/D

Notas: El patrón de destello 10 (ICAO) solo está disponible en las barras de luces solicitadas por la OACI. Variantes de catálogo ECCO suministradas con patrones de flash de clase I.

Controlador EZ0006 disponible para barras equipadas solo con cable de control.

### Instalación y montaje:

#### Montaje

Antes de proceder a la instalación, planifique el cableado y tendido de los cables. La barra de luces deberá montarse en una superficie plana y lisa, y centrada respecto al ancho del vehículo. Elija un lugar para el montaje donde la barra de luces quede nivelada y con máxima visibilidad para los vehículos que circulen en sentido contrario.

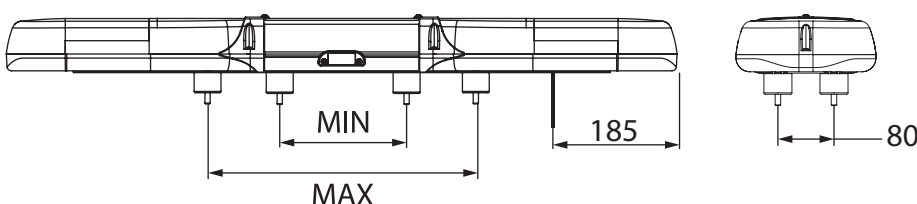


#### Precaución:

Al perforar la superficie del vehículo, compruebe que la zona esté libre de cables eléctricos, tuberías de combustible, tapicería, elementos de apoyo del vehículo, etc, que puedan resultar dañados.

### Instalación permanente

1. Determine la ubicación de la barra de luces y el mejor recorrido para los cables.



RANGO	MÍN	MÁX
770	300	500
1000	400	650
1250	600	900
1500	800	1050

2. Cuidando de no arañar la pintura del vehículo, perforo el panel del vehículo en los puntos de centrado necesarios según el largo de la barra, asegurándose de que los orificios no alcancen el revestimiento superior, molduras interiores o cables ya presentes en el vehículo.
3. Si el cableado eléctrico va a instalarse baja la barra de luces, perforo un orificio adicional y coloque una arandela adecuada antes de instalar la barra de luces.

**IMPORTANTE: -**

Coloque los 4 tornillos del kit de montaje suministrado en los canales de montaje y hágalos deslizar hasta la posición de los puntos de centrado que ha perforado. Coloque una arandela y a continuación la pata de goma en el tornillo, y monte la barra de luces en el panel, por debajo del panel, coloque la otra arandela y tuerca en el tornillo y apriete hasta 1,5 Nm.

## Instrucciones de cableado:

### ¡Importante!

Los cables eléctricos pueden afectar a otros equipos! Dirija los cables de suministro de productos lejos de cables sensibles (por ejemplo, antenas de radio y sistemas de frenos antibloqueo, etc.) Si esto no es posible, cruce los cables a 90°.

### ¡Importante!

Esta unidad es un dispositivo de seguridad y deberá estar conectada a su propia toma de corriente independiente y con fusible para garantizar el funcionamiento continuo en caso de fallo de cualquier otro accesorio eléctrico. No lo cablee en paralelo con ningún otro accesorio.

### Notas:

1. Unos cables de mayor tamaño y conexiones bien apretadas ofrecerán una vida en servicio más prolongada de los componentes. Para cables de elevada corriente, es muy recomendable el uso de regletas de conexión o conexiones soldadas con tubos termocontraíbles para proteger las conexiones. No utilice conectores de aislamiento-desplazamiento (p.ej., conectores tipo 3M Scotchlock).
2. Pase los cables utilizando arandelas y sellante al atravesar paredes de compartimentos. Minimice el número de empalmes para reducir las caídas de tensión. Una elevada temperatura ambiente (p.ej., bajo el capó) reducirá en gran medida la capacidad de transporte de corriente de cables, fusibles y disyuntores. Todo el cableado deberá ser conforme con el tamaño mínimo de los cables y otras recomendaciones del fabricante, y estará fuera del alcance de piezas en movimiento y superficies calientes. Deberán utilizarse manguitos, arandelas, bridas y otros sistemas similares de instalación para sujetar y proteger los cables.
3. Los fusibles o disyuntores deberán estar situados lo más cerca posible de los puntos de derivación de potencia y con tamaño adecuado para proteger el cableado y los dispositivos.
4. Deberá prestarse especial atención a la ubicación y método de realización de los empalmes y conexiones eléctricas para proteger estos puntos contra corrosión y pérdida de conductividad.
5. La terminación a tierra deberá estar realizada a componentes del chasis de elevada masa, y preferiblemente directamente a la batería del vehículo.
6. Los disyuntores son muy sensibles a las temperaturas elevadas y tienden a saltar en falso al equiparse en entornos de elevada temperatura o cerca de su capacidad.



### ¡PRECAUCIÓN!

Desconecte la batería antes de cablear la barra de luces para evitar cortocircuitos y chispas o descargas eléctricas.

## Instrucciones generales de cableado

Antes de tratar de conectar el mazo de cableado de la barra de luces, consulte el diagrama de cableado que se muestra a continuación. El diagrama de cableado describe la función de cada hilo.

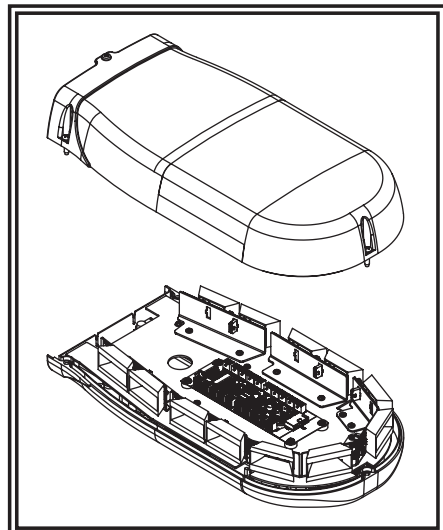
1. Pase los hilos del polo positivo del vehículo (batería, alternador, bloque de fusibles) al panel de interruptores de la cabina. Utilice cable adecuado para altas temperaturas si pasa por el compartimento del motor. Instale un fusible adecuado lo más cercano posible al punto de derivación. Utilice un fusible para cada circuito según la hoja adjunta.
2. Conecte los cables al lado positivo del panel de interruptores de control con terminales de conexión rápida o soldando.
3. Una vez montada la barra de luces, pase el mazo de cables hasta la ubicación del panel de interruptores en el interior del vehículo.
4. Conecte los hilos del mazo de cables de la barra de luces al lado conmutado del interruptor (en el inserto encontrará la leyenda de color / función de los cables).
5. Conecte el hilo negro del cable de la barra de luces a una conexión a tierra en el vehículo (preferiblemente directamente al terminal negativo de la batería).
6. Utilice bridas y tubos para cables para proteger y fijar todos los cables e hilos.

## Opciones y mantenimiento:

La limpieza ocasional de las lentes garantizará un óptimo rendimiento luminoso. Tenga cuidado al limpiar las lentes; aunque es resistente, el policarbonato se araña con facilidad. Limpie la lente y la base con agua y jabón o limpiador de lentes y un paño suave. No utilice disolventes, ya que pueden dañar el policarbonato. No exponga la barra de luces a lavado de alta presión o sistemas de lavado automático de coches.

### Retirada e instalación de las lentes

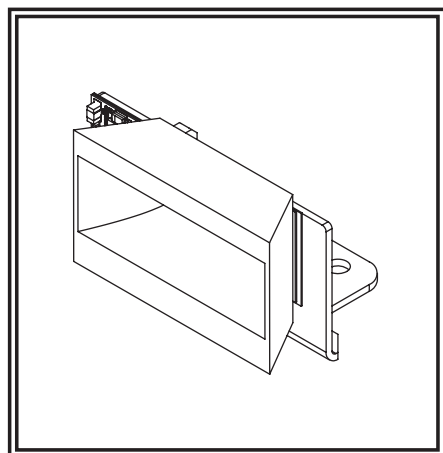
1. Quite los tornillos de las lentes / deflectores, retire primero el deflector y a continuación tire de la lente para sacarla.
2. Escoja un lugar adecuado para almacenar temporalmente la lente sin arañar la superficie.
3. Al volver a colocarla, presione suavemente alrededor de la lente teniendo cuidado de no dañar el sello. Vuelva a poner los tornillos.



Módulos de advertencia con LED único

ER5012 - LED izquierdo

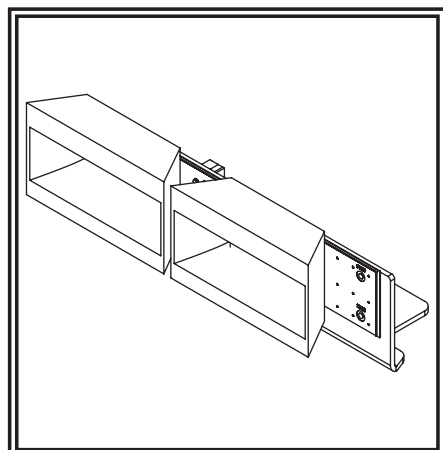
ER5013 - LED derecho



Módulos de advertencia con LED doble

ER5014 - LED derecho

ER5015 - LED izquierdo



Los focos de luz LED están diseñados para garantizar una larga vida en servicio utilizando LEDs de alto rendimiento. Estos módulos son de bajo perfil y tienen una elevada intensidad de salida con bajo consumo de corriente. Los focos de luz LED pueden montarse en la parte frontal, trasera y esquinas de la caja de luces.



<b>Kits de recambio</b>	
<b>Descripción</b>	<b>Número de pieza</b>
<b>Lentes</b>	
Recambio de lente de extremo (ámbar)	ER5016
Recambio de lente de extremo (transparente)	ER5017
Recambio de lente central Barra de luz de 1000 mm/39" (ámbar)	ER5018
Recambio de lente central Barra de luz de 1000 mm/39" (transparente)	ER5019
Recambio de lente central Barra de luz de 1000 mm/39" (ópalo)	ER5027
Recambio de lente central Barra de luz de 1250 mm/49" (ámbar)	ER5020
Recambio de lente central Barra de luz de 1250 mm/49" (transparente)	ER5021
Recambio de lente central Barra de luz de 1250 mm/49" (ópalo)	ER5028
Recambio de lente central Barra de luz de 1500 mm/59" (ámbar)	ER5022
Recambio de lente central Barra de luz de 1500 mm/59" (transparente)	ER5023
Recambio de lente central Barra de luz de 1500 mm/59" (ópalo)	ER5029
<b>Separadores/deflectores y pasador de la lente</b>	
Recambio de deflector único	ER5024
Recambio de deflector de doble cara	ER5025
Recambio de pasador de lente delantera/trasera central (par)	ER5026
<b>LEDs</b>	
Recambio de LED izquierdo único (ámbar)	ER5012
Recambio de LED derecho único (ámbar)	ER5013
Recambio de LED derecho doble (ámbar)	ER5014
Recambio de LED izquierdo doble (ámbar)	ER5015
<b>Motor/fuente de alimentación</b>	
Kit de recambio de fuente de alimentación Serie 13	ER5011

## **GARANTÍA**

### **Garantía limitada del fabricante y Limitación de responsabilidad:**

El fabricante garantiza que a la fecha de compra, este producto es conforme a las especificaciones del fabricante para este producto (que están disponibles del fabricante si se solicitan). Esta Garantía limitada tiene una duración de veinticuatro (24) meses a partir de la fecha de compra.

LOS DAÑOS EN LAS PIEZAS O PRODUCTOS COMO RESULTADO DE MANIPULACIÓN, ACCIDENTE, ABUSO, USO INDEBIDO, NEGLIGENCIA, MODIFICACIONES NO AUTORIZADAS, INCENDIO U OTROS PELIGROS; INSTALACIÓN O PUESTA EN FUNCIONAMIENTO INADECUADAS O NO REALIZACIÓN DE MANTENIMIENTO DE CONFORMIDAD CON LOS PROCEDIMIENTOS DE MANTENIMIENTO DETALLADOS EN LAS INSTRUCCIONES DE INSTALACIÓN Y FUNCIONAMIENTO DEL FABRICANTE INVALIDAN ESTA GARANTÍA LIMITADA.

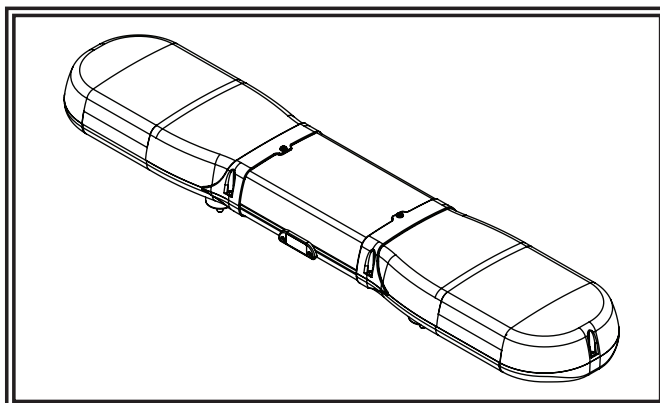
### **Exclusión de otras garantías:**

EL FABRICANTE NO OFRECE NINGUNA OTRA GARANTÍA, EXPRESA O IMPLÍCITA. QUEDAN EXCLUIDAS LAS GARANTÍAS IMPLÍCITAS DE COMERCIABILIDAD, CALIDAD O ADECUACIÓN PARA UN FIN PARTICULAR, O SURGIDAS DE LA NEGOCIACIÓN, USO O PRÁCTICA COMERCIAL, Y NO SE APLICARÁN AL PRODUCTO Y SE RENUNCIA A ELLAS, EXCEPTO EN CUANTO ESTÉ PROHIBIDO POR LA LEGISLACIÓN APLICABLE. LAS DECLARACIONES O ALEGACIONES ORALES ACERCA DEL PRODUCTO NO CONSTITUYEN UNA GARANTÍA.

### **Derechos y acciones y Limitación de responsabilidad**

LA ÚNICA RESPONSABILIDAD DEL FABRICANTE Y LOS ÚNICOS DERECHOS Y ACCIONES DEL COMPRADOR, DE FORMA CONTRACTUAL O EXTRA CONTRACTUAL (INCLUIDA NEGLIGENCIA) O SEGÚN CUALQUIER OTRA TEORÍA CONTRA EL FABRICANTE EN RELACIÓN CON EL PRODUCTO Y SU USO SERÁ, A DISCRECIÓN DEL FABRICANTE, LA SUSTITUCIÓN O REPARACIÓN DEL PRODUCTO O LA DEVOLUCIÓN DEL PRECIO DE COMPRA PAGADO POR EL COMPRADOR POR EL PRODUCTO NO CONFORME. LA RESPONSABILIDAD DEL FABRICANTE EN VIRTUD DE ESTA GARANTÍA LIMITADA O DE CUALQUIER OTRA RECLAMACIÓN RELACIONADA CON LOS PRODUCTOS DEL FABRICANTE NO SUPERARÁN EN NINGÚN CASO EL IMPORTE PAGADO POR EL PRODUCTO POR EL COMPRADOR EN EL MOMENTO DE LA COMPRA ORIGINAL. EL FABRICANTE NO SERÁ RESPONSABLE EN NINGÚN CASO POR PÉRDIDA DE BENEFICIOS, EL COSTE DE EQUIPOS DE SUSTITUCIÓN O MANO DE OBRA, DAÑOS A BIENES U OTROS DAÑOS ESPECIALES, CONSIGUIENTES O INCIDENTALES BASADOS EN CUALQUIER RECLAMACIÓN POR PÉRDIDA DE CONTRATO, INSTALACIÓN INADECUADA, NEGLIGENCIA O CUALQUIER OTRA RECLAMACIÓN, INCLUSO SI EL FABRICANTE O REPRESENTANTE DEL FABRICANTE HA SIDO AVISADO DE LA POSIBILIDAD DE DICHOS DAÑOS. EL FABRICANTE NO TENDRÁ NINGUNA OTRA OBLIGACIÓN NI RESPONSABILIDAD RESPECTO AL PRODUCTO O SU VENTA, FUNCIONAMIENTO Y USO, Y EL FABRICANTE NO ASUME NI AUTORIZA LA ACEPTACIÓN DE NINGUNA OTRA OBLIGACIÓN O RESPONSABILIDAD EN CONEXIÓN CON DICHO PRODUCTO.

Esta Garantía limitada define derechos legales específicos. Es posible que tenga otros derechos legales, que varían en las distintas jurisdicciones. Algunas jurisdicciones no permiten la exclusión o limitación de daños fortuitos o consecuentes.



### Introduction :

Le bandeau lumineux R65 série 13 à DEL a été conçu pour satisfaire les besoins des clients. Il offre une excellente valeur en termes de coût, de performances et de durabilité grâce à la technologie DEL sans entretien et durable. Cette gamme est robuste, compacte et se présente dans un boîtier au design populaire.

Il est disponible en quatre longueurs pour satisfaire tous les besoins. Tous nos bandeaux lumineux sont conçus et fabriqués au Royaume-Uni. La série 13 convient à différents véhicules tels que les véhicules de grande longueur, les camions de dépannage et les véhicules d'entretien d'autoroutes. Des configurations personnalisées sont disponibles ; nous consulter en cas de besoins spécifiques.

### Déballage et pré-installation :

Déballer soigneusement le bandeau lumineux et le placer sur une surface plate. Rechercher d'éventuels dommages dus au transport et localiser les composants. Si des dommages sont constatés ou si des pièces manquent, prendre contact avec le transporteur ou avec ECCO. Ne pas utiliser de pièces endommagées.

S'assurer que la tension d'alimentation du bandeau lumineux est compatible avec celle du véhicule.

**IMPORTANT !** Lire toutes les instructions avant l'installation et l'utilisation. Installateur : Ce manuel doit être remis à l'utilisateur final. Ce manuel suppose que l'installation sera réalisée par un technicien automobile compétent.



**Ne pas installer ni utiliser cet appareil de sécurité sans avoir lu et compris les consignes de sécurité contenues dans le manuel.**

1. Une installation convenable associée à la formation de l'opérateur en termes d'utilisation et d'entretien de dispositifs d'avertissement d'urgence, sont deux éléments essentiels à la sécurité du personnel d'urgence et du public.
2. Les dispositifs d'avertissement d'urgence sont souvent alimentés par des tensions élevées. Être prudent quand on intervient sur les connexions d'appareils sous tension.
3. Cet appareil doit être relié à la masse. Un défaut de liaison à la masse et/ou un court-circuit des connexions électriques peuvent provoquer un arc électrique qui peut blesser des personnes, endommager gravement le véhicule, voire déclencher un incendie.
4. Le choix d'un bon emplacement et la réalisation d'une bonne installation sont impératifs pour garantir les performances de ce dispositif de sécurité. Installer cet appareil de sorte que les performances du système soient maximales et que les commandes soient aisément accessibles par l'opérateur de sorte qu'il puisse utiliser le système sans quitter la route des yeux.
5. Il est de la responsabilité du conducteur du véhicule de s'assurer chaque jour que toutes les fonctions de l'appareil fonctionnent. En cours d'utilisation, le conducteur doit s'assurer que la projection du signal d'avertissement n'est pas obstruée par un élément du véhicule (par exemple par l'ouverture du capot, ou d'une porte), par des gens, des véhicules ou autres obstacles.
6. L'utilisation de cet appareil comme de tout autre dispositif d'avertissement ne garantit pas que tous les conducteurs observeront ou réagiront aux signaux d'avertissement d'urgence. Ne jamais considérer la priorité comme acquise. Il est de la responsabilité du conducteur de s'assurer qu'il peut franchir une intersection sans danger, avancer à contresens de la circulation, rouler à grande vitesse ou marcher sur ou à proximité des voies de circulation.
7. Cet appareil ne doit être utilisé que par du personnel autorisé. L'utilisateur doit comprendre les lois relatives aux dispositifs d'avertissement d'urgence et les respecter. En conséquence, l'utilisateur doit prendre connaissance des lois et de la réglementation nationale et régionale applicables. Le fabricant n'assume aucune responsabilité relativement aux pertes résultant de l'usage de cet appareil.
8. Cet appareil peut comporter des DEL haute intensité ; les fixer du regard peut provoquer une diminution momentanée ou permanente de la vue.



## AVERTISSEMENT !

Faute d'installer l'appareil conformément aux instructions du fabricant, vous vous exposez à des dommages matériels, des blessures graves, voire mortelles pour vous comme pour ceux que vous cherchez à protéger !

### Caractéristiques techniques :

Caractéristiques techniques :				
Longueur	770 mm (30")	1 000 mm (39")	1 250 mm (49")	1 500 mm (59")
Hauteur	85 mm (3,3")	Largeur :		200 mm (7,9")
Tension	12-24 VCC			
Consommation en courant	DEL unique ( Classe I ) = DEL unique ( Classe II ) = Double DEL ( Classe I ) = Double DEL ( Classe II ) =	0,30 A en moyenne à 12 VCC 0,80 A en moyenne à 12 VCC 0,40 A en moyenne à 12 VCC 1,20 A en moyenne à 12 VCC	Par module	
Séquences de clignotements	10 (voir tableau)			

Tableau des séquences de clignotements Disponible				
Séquence	Désignation	CPM	Classe I	Classe II (disponible sur demande)
1	Éclairage permanent	S/O	S/O	S/O
2	Une (Toutes les diodes allumées)	123 CPM	✓	✓
3	Double (Toutes les diodes allumées)	123 CPM	✓	✓
4	Triple (Toutes les diodes allumées)	123 CPM	✓	✓
5	Quad (Toutes les diodes allumées)	123 CPM	✓	✓
6	Une (G/D alternativement)	123 CPM	✓	✓
7	Double (G/D alternativement)	123 CPM	✓	✓
8	Triple (G/D alternativement)	123 CPM	✓	✓
9	Quad (G/D alternativement)	123 CPM	✓	✓
10	OACI / CAP168 Aéroport	60 CPM	S/O	S/O

Note : Modèle d'éclair 10 (OACI) Est disponible uniquement sur les barres lumineuses demandées par l'OACI. Catalogue ECCO Variantes fournies avec les modèles Flash de classe I.

EZ0006 Contrôleur disponible uniquement pour les barres équipées d'un câble de commande.

### Installation et montage :

#### Montage

Avant de commencer l'installation, prévoir le câblage et le cheminement des câbles. Choisir un emplacement de montage du bandeau lumineux qui soit une surface plate et lisse et centrer l'appareil dans la largeur du véhicule. L'emplacement de montage du bandeau lumineux doit être tel que le bandeau soit de niveau et que la visibilité pour les véhicules approchants soit optimale.

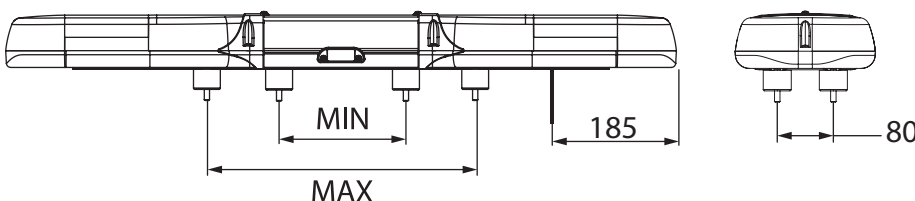


#### Attention :

Avant de percer la carrosserie du véhicule, s'assurer que derrière l'emplacement choisi ne se trouvent ni fils électriques, ni conduites de carburant, ni sellerie du véhicule, ni pièces structurales, etc., qui pourraient être endommagés par le perçage.

#### Montage permanent

1. Déterminer l'emplacement du bandeau lumineux et le meilleur trajet pour le faisceau de câblage.



PLAGE	MINIMUM	MAXIMUM
770	300	500
1000	400	650
1250	600	900
1500	800	1050

2. Tout en veillant à ne pas endommager la peinture du véhicule, percer la tôle du véhicule de deux trous distants de la longueur requise pour le bandeau lumineux ; veiller à ne pas toucher les pièces de structure, les habillages intérieurs et les câbles existants.
3. Si le câblage électrique est installé sous le bandeau lumineux, percer un trou supplémentaire et le munir d'un passe-câble convenable, avant de fixer le bandeau lumineux.

#### **IMPORTANT : -**

Du kit de fixation fourni, extraire les 4 boulons, les engager dans les profils de montage puis les faire glisser vers les trous percés. Poser une rondelle, puis un pied en caoutchouc sur chaque boulon et monter le bandeau lumineux sur le panneau ; sous le panneau, poser la rondelle et l'écrou restant sur le boulon puis serrer ce dernier à 1,5 Nm.

### **Instructions de câblage :**

#### **Important !**

**Les câbles électriques peuvent affecter d'autres équipements! Éloignez les câbles d'alimentation des câbles d'équipements sensibles (par exemple : antennes radio, ABS, etc.) si cela n'est pas possible, croisez les câbles à 90°.**

#### **Important !**

Cet appareil est un élément de sécurité et doit être alimenté à partir d'une source séparée, protégée par un fusible, de manière qu'il puisse fonctionner même en cas de défaillance d'un autre accessoire électrique. Cet appareil ne doit pas être connecté en parallèle sur un autre accessoire.

#### **Notes :**

1. Des câbles de grosse section et des connexions solides garantiront une plus grande durée de service aux composants. Pour les câbles transportant un courant élevé, il est vivement conseillé d'utiliser des cosses ou des connexions soudées protégées par des gaines thermorétractables. Ne pas utiliser des connexions à isolant mobile (par exemple, 3 M Scotchlock).
2. Utiliser des passe-câbles et une pâte d'étanchéité chaque fois qu'un câble doit traverser une cloison. Réduire le nombre d'épissures de manière à ce que les chutes de tension soient aussi faibles que possible. En présence de températures ambiantes élevées (par exemple, dans le compartiment moteur), la quantité de courant que peuvent supporter les câbles, les fusibles et les disjoncteurs est notablement réduite. Tout le câblage doit être réalisé à l'aide de fils ayant la section minimum requise et selon les recommandations du fabricant ; il doit être protégé des pièces mobiles et des surfaces portées à haute température. Des gaines isolantes, des passe-câbles, des serre-câbles et des articles similaires doivent être utilisés pour fixer les faisceaux et protéger les câbles.
3. Les fusibles et les disjoncteurs doivent être placés aussi près que possible des points d'alimentation et dimensionnés comme il convient pour assurer la protection des câbles et des appareils.
4. On doit particulièrement veiller au choix des emplacements des connexions électriques et des épissures et à leur protection contre la corrosion et les pertes de conductivité.
5. La connexion à la masse doit être réalisée par une liaison à un élément majeur du châssis ; la meilleure solution consiste à connecter les câbles directement à la batterie.
6. Les disjoncteurs sont très sensibles aux températures élevées et peuvent se déclencher « sans raison » autre que la température ambiante ; on doit également veiller à ce qu'ils ne fonctionnent pas à la limite de leur capacité du fait de cette température.



#### **PRÉCAUTION !**

**Débrancher la batterie avant de commencer le câblage du bandeau lumineux de façon à éviter tout risque de court-circuit, d'arc électrique et/ou de décharge électrique.**

### **Instructions générales de câblage**

Avant de procéder au raccordement du faisceau électrique d'un bandeau lumineux, se reporter au schéma de câblage figurant ci-dessous. Le schéma de câblage indique le rôle de chaque fil électrique séparément.

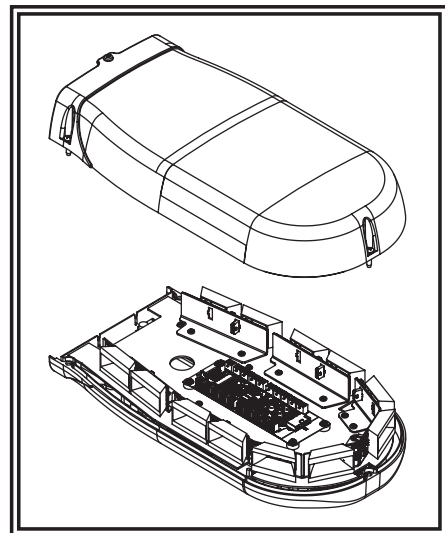
1. Faire cheminer les câbles de la borne positive (batterie, alternateur, boîte à fusibles) du véhicule jusqu'au tableau de commutation de la cabine. Le cas échéant, utiliser des fils munis de gaines résistant aux températures élevées, par exemple pour les fils passant dans le compartiment moteur. Poser un fusible adéquat aussi près que possible du point d'alimentation. Utiliser un fusible pour chaque circuit, conformément à la fiche.
2. Connecter les câbles aux bornes positives du panneau de commande à l'aide de cosses rapides ou par soudure.
3. Après montage du bandeau lumineux, faire cheminer le faisceau de câbles dans le véhicule jusqu'à l'emplacement du tableau de commutation.
4. Connecter les câbles du faisceau du bandeau lumineux au côté commuté de l'interrupteur. Se reporter à la fiche pour connaître le code couleur et la légende des fonctions.
5. Connecter le fil noir du câble du bandeau lumineux à un point de masse fixe du véhicule (l'idéal étant la borne négative de la batterie).
6. Utiliser des serre-câbles et des passe-câbles pour maintenir les câbles et les fils et les protéger.

## Options et entretien :

Le nettoyage occasionnel de l'optique garantit un éclairage optimal. Procéder au nettoyage avec soin car le polycarbonate est un matériau solide mais qui se raye aisément. Nettoyer l'optique avec du savon et de l'eau, ou un agent de polissage convenable, et un chiffon doux. N'utiliser aucun solvant car ils peuvent endommager le polycarbonate. Ne pas exposer le bandeau lumineux aux appareils de lavage sous pression ; ne pas laver le véhicule dans une station de lavage automatique.

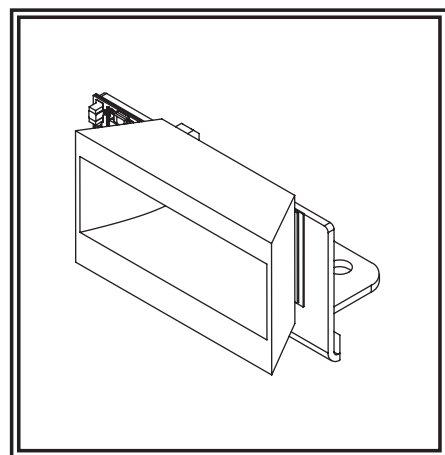
### Dépose et pose de l'optique

1. Retirer les vis de l'optique/défecteurs de guide, déposer d'abord le déflecteur de guide puis extraire l'optique.
2. Choisir un emplacement temporaire convenable pour ranger l'optique de sorte que sa surface ne soit pas rayée.
3. Lors de la pose, appliquer une légère pression sur le pourtour de l'optique tout en veillant à ne pas endommager le joint. Replacer les vis.



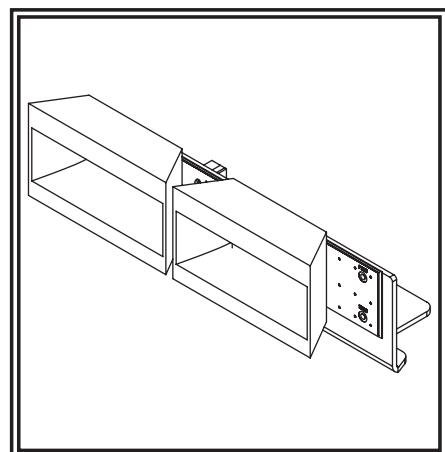
Modules avertisseurs  
lumineux à une DEL

ER5012 - DEL gauche  
ER5013 - DEL droite



Modules avertisseurs  
lumineux à deux DEL

ER5014 - DEL droite  
ER5015 - DEL gauche



Les têtes de DEL ont été conçues pour assurer une longue durée de service et sont réalisées à l'aide de DEL haute performance. Les modules au profil élargi émettent une lumière intense et consomment peu d'énergie. Les têtes de DEL peuvent être montées à l'avant, à l'arrière ou dans les angles du bandeau lumineux.

<b>Lots de rechange</b>	
<b>Désignation</b>	<b>Référence</b>
<b>Optiques</b>	
Optique de rechange d'extrémité (Ambre)	ER5016
Optique de rechange d'extrémité (Transparent)	ER5017
Optique centrale de rechange Bandeau lumineux 1 000 mm/39" (Ambre)	ER5018
Optique centrale de rechange Bandeau lumineux 1 000 mm/39" (Transparent)	ER5019
Optique centrale de rechange Bandeau lumineux 1 000 mm/39" (Opale)	ER5027
Optique centrale de rechange Bandeau lumineux 1 250 mm/49" (Ambre)	ER5020
Optique centrale de rechange Bandeau lumineux 1 250 mm/49" (Transparent)	ER5021
Optique centrale de rechange Bandeau lumineux 1 250 mm/49" (Opale)	ER5028
Optique centrale de rechange Bandeau lumineux 1 500 mm/59" (Ambre)	ER5022
Optique centrale de rechange Bandeau lumineux 1 500 mm/59" (Transparent)	ER5023
Optique centrale de rechange Bandeau lumineux 1 500 mm/59" (Opale)	ER5029
<b>Diviseurs/Défecteurs et verrou d'optique</b>	
Défecteur simple de rechange	ER5024
Défecteur double face de rechange	ER5025
Verrou central d'optique avant/arrière de rechange (Paire)	ER5026
<b>DEL</b>	
DEL gauche simple de rechange (Ambre)	ER5012
DEL droite simple de rechange (Ambre)	ER5013
DEL droite double de rechange (Ambre)	ER5014
DEL gauche double de rechange (Ambre)	ER5015
<b>Pilote/PSU</b>	
Kit de rechange PSU série 13	ER5011

## GARANTIE

### **Garantie limitée du fabricant et limite de responsabilité :**

Le fabricant garantit qu'à la date d'achat, le produit est conforme aux spécifications du fabricant pour ce produit (les spécifications sont disponibles auprès du fabricant sur demande). Cette garantie limitée s'étend sur vingt-quatre (24) mois à compter de la date d'achat.

LES DOMMAGES À DES PIÈCES OU À DES PRODUITS RÉSULTANT D'UN SABOTAGE, D'UN ACCIDENT, D'ABUS, D'UNE MAUVAISE UTILISATION, DE NÉGLIGENCE, DE MODIFICATIONS INAPPROPRIÉES, D'INCENDIES OU D'AUTRES RISQUES ; D'UNE INSTALLATION OU D'UN FONCTIONNEMENT INCORRECTS ; OU D'UN ENTRETIEN NON CONFORME AUX PROCÉDURES D'ENTRETIEN ÉNONCÉES DANS LES INSTRUCTIONS D'INSTALLATION ET DE FONCTIONNEMENT DU FABRICANT ANNULENT LA PRÉSENTE GARANTIE LIMITÉE.

### **Exclusion des autres garanties :**

LE FABRICANT NE DONNE AUCUNE AUTRE GARANTIE, EXPLICITE OU IMPLICITE. LES GARANTIES IMPLICITES DE QUALITÉ MARCHANDE, DE QUALITÉ OU D'ADAPTATION À UN USAGE PARTICULIER, OU DÉCOULANT D'UNE PRATIQUE COMMERCIALE, D'USAGE OU DE PRATIQUE COMMERCIALE SONT PAR LA PRÉSENTE EXCLUES ET NE S'APPLIQUENT PAS AU PRODUIT ; ELLES SONT PAR LA PRÉSENTE DÉCLINÉES SAUF DANS LA MESURE OÙ CETTE EXCLUSION EST INTERDITE PAR LA LOI APPLICABLE. LES DÉCLARATIONS ORALES CONCERNANT LE PRODUIT NE CONSTITUENT PAS DES GARANTIES.

### **Recours et limites de responsabilité :**

LA SEULE RESPONSABILITÉ DU FABRICANT ET LE RECOURS EXCLUSIF DE L'ACHETEUR EN CAS DE RESPONSABILITÉ CONTRACTUELLE, DÉLICTUELLE (Y COMPRIS LA NÉGLIGENCE) OU AUTRE CONTRE LE FABRICANT CONCERNANT LE PRODUIT ET SON UTILISATION SERA, À LA DISCRÉTION DU FABRICANT, LE REMPLACEMENT OU LA RÉPARATION DU PRODUIT, OU LE REMBOURSEMENT DU PRIX D'ACHAT PAYÉ PAR L'ACHETEUR EN RAISON DE LA NON-CONFORMITÉ DU PRODUIT. EN AUCUN CAS LA RESPONSABILITÉ DU FABRICANT DÉCOULANT DE CETTE GARANTIE LIMITÉE OU DE TOUTE AUTRE RÉCLAMATION LIÉE AUX PRODUITS DU FABRICANT NE DÉPASSERA LE MONTANT PAYÉ POUR LE PRODUIT PAR L'ACHETEUR AU MOMENT DE L'ACHAT ORIGINAL. EN AUCUN CAS, LE FABRICANT NE SAURAIT ÊTRE TENU RESPONSABLE DE LA PERTE DE BÉNÉFICES, DU COÛT D'UN MATÉRIEL DE REMPLACEMENT OU DE LA MAIN-D'OEUVRE, DE DOMMAGES MATÉRIELS OU D'AUTRES DOMMAGES SPÉCIAUX, CONSÉCUTIFS OU ACCESSOIRES BASÉS SUR UNE RÉCLAMATION POUR RUPTURE DE CONTRAT, INSTALLATION INCORRECTE, NÉGLIGENCE OU AUTRE, MÊME SI LE FABRICANT OU UN REPRÉSENTANT DU FABRICANT A ÉTÉ AVISÉ DE LA POSSIBILITÉ DE TELS DOMMAGES. LE FABRICANT N'A AUCUNE OBLIGATION OU RESPONSABILITÉ SUPPLÉMENTAIRE CONCERNANT LE PRODUIT OU SA VENTE, SON FONCTIONNEMENT ET SON UTILISATION, ET LE FABRICANT N'ASSUME NI N'AUTORISE AUCUNE PRÉSUMPTION D'AUCUNE AUTRE OBLIGATION OU RESPONSABILITÉ LIÉE À UN TEL PRODUIT.

Cette garantie limitée précise certains droits légaux spécifiques. Il se peut que l'acheteur possède d'autres droits qui varient d'une juridiction à l'autre. Certaines juridictions n'autorisent pas l'exclusion ni la limitation des dommages accidentels ou consécutifs.