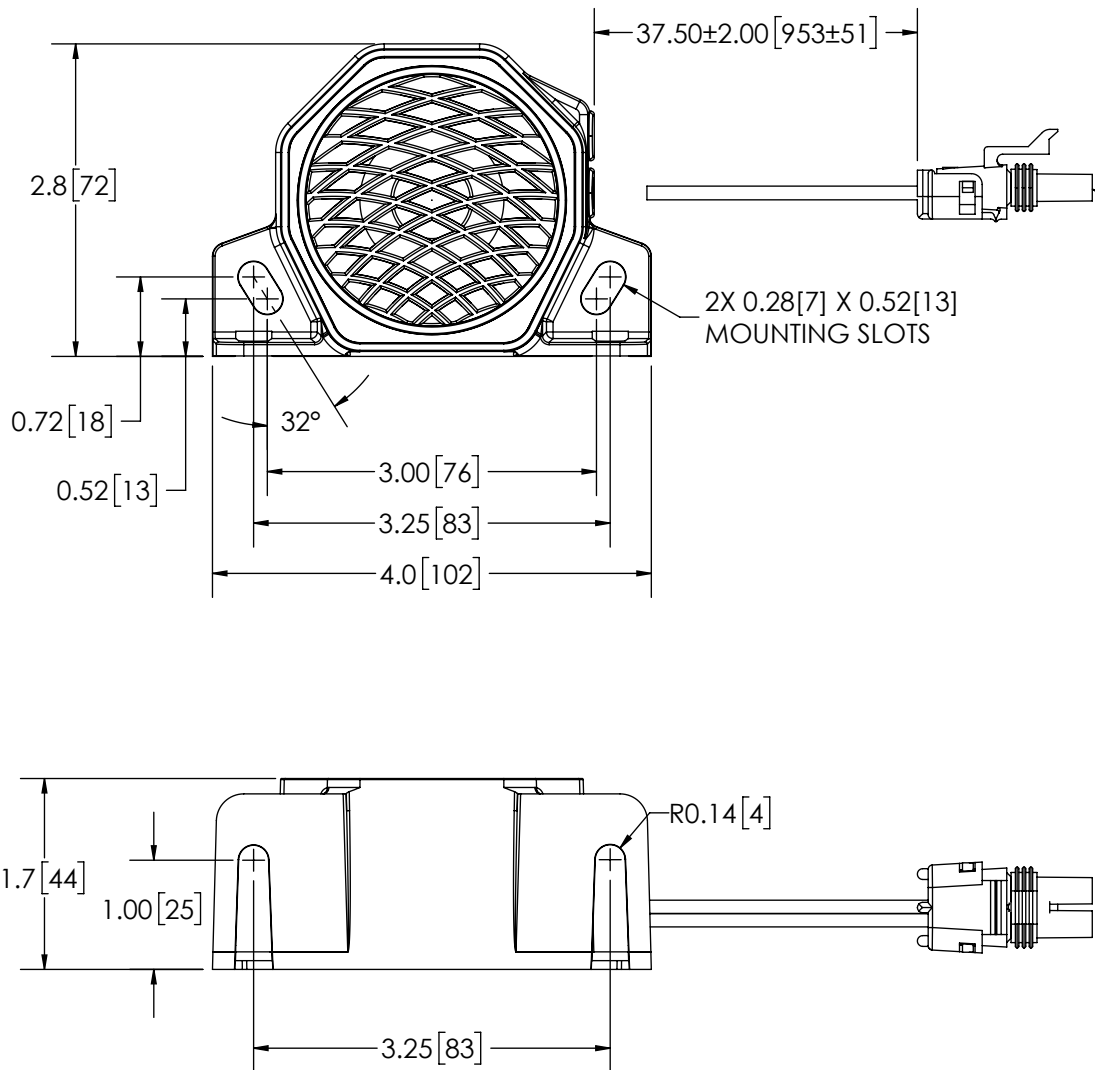


REVISION HISTORY		
REV.	DESCRIPTION	DATE
03	REVISED PER EL0197	2020-01-28
04	REVISED PER EL0197	2020-01-29
A	INITIAL RELEASE PER EL0197	2020-02-04



2-CONDUCTOR CABLE W/ CONN.
 2-16 AWG WIRES
 HOUSING: APTIV P/N 12015792
 TERMINALS: APTIV P/N 12124580
 SEALS: APTIV P/N 15324983
 PIN A: RED - POSITIVE(+)
 PIN B: BLACK - NEGATIVE(-)

SPECIFICATIONS

- CERTIFICATIONS: **CE**; ECE R10; AMECA/SAE J994 (MAR 2009), TYPE C; C-Tick ;
 Note: Unique components, accessories, and hardware kits are not typically included in the Product Certification Test Protocols. Unless otherwise Specified, the Product Certifications referred to herein are predicated upon the base product model configuration.
- SOUND PRESSURE LEVEL: 97 ± 4 dB (A) @ 1.2m (4ft)
- VOLTAGE (NOMINAL): 12-24 VDC
- VOLTAGE (EXTREME): 9-32 VDC
- CURRENT (PEAK): 1.0 A (@ 12 VDC NOMINAL)
- POWER (MAXIMUM): 13.7 W (@ 12 VDC NOMINAL)
- TEMPERATURE RANGE: -40°F (-40°C) TO 185°F (85°C)
- FREQUENCY: 700 to 2800 Hz
- CONNECTION: 2-16 AWG WIRES WITH CONNECTOR
- RECOMMENDED MOUNTING: 1/4 - 20 UNC, GRADE 5 OR BETTER, 1/4" TYPE A, SERIES N OR W WASHER
- HOUSING MATERIAL: GLASS FILLED NYLON
- PRODUCT WEIGHT: 0.9 LBS (0.41 Kg)

NOTES:
 1. DIMENSIONS IN INCHES[MILLIMETERS (FOR REFERENCE)]

SCALE 1:1.75		APPROVALS	DATE
CAD GENERATED DRAWING DO NOT MANUALLY UPDATE. MODEL REFERENCED: 01		DRAWN BY ABD	2020-01-29
TOLERANCES ARE IN INCHES, AND MILLIMETERS TOLERANCES UNLESS OTHERWISE STATED ARE:		CHECKED MDH	2020-01-30
MILLIMETERS DECIMALS XX. ± 1.0mm XX.X ± 0.5mm	INCHES DECIMALS X.X ± 0.1 X.XX ± 0.04 X.XXX ± 0.02	MECH. ENG. JLA	2020-01-29
	ANGLES ± 0.5°	ELEC. ENG. SPO	2020-01-29
	FRACTIONS ± 1/64	TEST ENG. RM	2020-01-31
		SALES. ARS	2020-02-03
THIRD ANGLE PROJECTION			

ECCO www.eccolink.com
 Americas (800) 635-5900 | Europe +44 (0)113 237 5340 | Asia Pacific +61 (0)3 63322444

ALARM, BACKUP, MULTFQ, 97DB, 12-24V, APTIV 2

CUSTOMER PART NO.
EA5200-APT2

SIZE: A DWG. NO. EA5200-APT2 REV. A

Project: EL0197 Date Created: 2020-01-08

Electronically Controlled Use Latest Copy SHEET 1 OF 1

PROPRIETARY AND CONFIDENTIAL INFORMATION
 THIS DRAWING AND THE DESIGN AND OTHER INFORMATION DISCLOSED HEREIN ARE THE PROPERTY OF ELECTRONIC CONTROLS COMPANY AND/OR ITS ECCO SAFETY GROUP AFFILIATES ("ECCO") AND IS ISSUED IN CONFIDENCE TO RECIPIENT FOR ENGINEERING INFORMATION PURPOSES ONLY. THIS DRAWING AND THE DESIGN AND OTHER INFORMATION DISCLOSED HEREIN MAY NOT BE USED, COPIED, REPRODUCED OR OTHERWISE DISCLOSED IN PART OR IN WHOLE TO THIRD PARTIES OR USED FOR ANY OTHER PURPOSE WITHOUT PRIOR ECCO WRITTEN CONSENT. ECCO RESERVES ALL PATENT, COPYRIGHT, TRADEMARK AND OTHER PROPRIETARY RIGHTS TO THIS DOCUMENT, INCLUDING ALL DESIGN, MANUFACTURING, REPRODUCTION, USE AND SALES RIGHTS THERETO. THIS DRAWING IS SUBJECT TO RECALL BY ECCO AT ANY TIME, AND YOUR POSSESSION AND/OR USE CONSTITUTES ACCEPTANCE OF THESE TERMS. ©2020 ELECTRONIC CONTROLS COMPANY