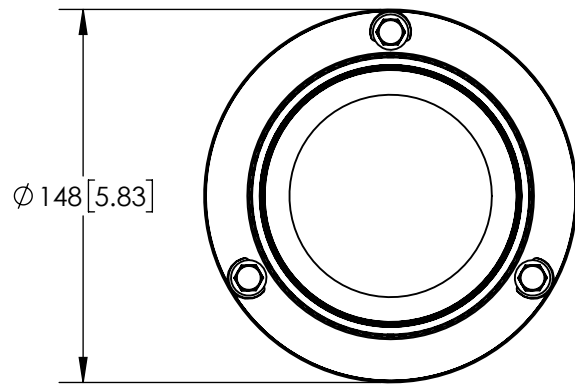
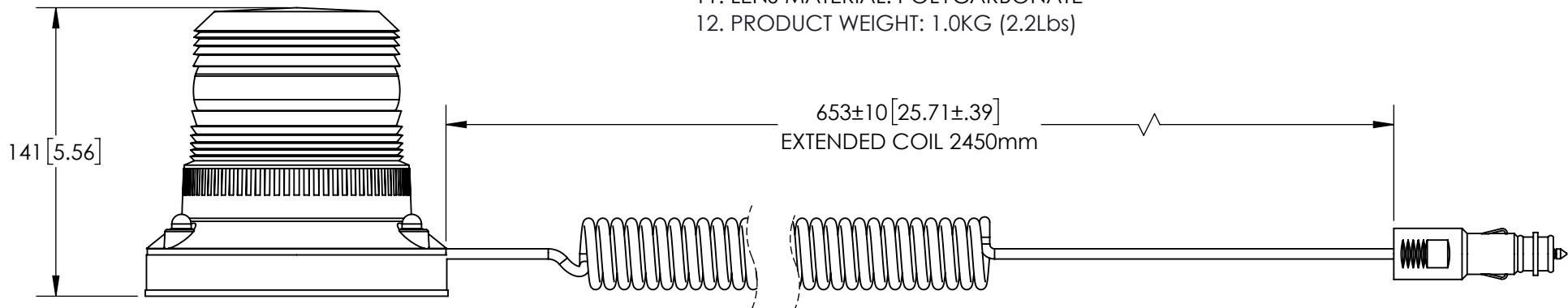


REVISION HISTORY		
REV.	DESCRIPTION	DATE
02	REVISED PER LC1492	2018-04-16
A	INITIAL RELEASE PER LC1492	2018-05-22
B	REVISED PER LC2445	2020-03-23




### SPECIFICATIONS

- CERTIFICATIONS: R10 APPROVED  
Note: Unique components, accessories and hardware kits are not typically included in the product certification test protocols. Unless otherwise Specified, the product certification referred to herein are predicated Upon the base product model configuration.
- FLASH MODE: DEFAULT 125 FPM DOUBLE FLASH
- VOLTAGE (NOMINAL): 12-24 VDC
- VOLTAGE (EXTREME): 10-32 VDC
- CURRENT (PEAK): 1.40A (@ 12 VDC NOMINAL)
- POWER (MAXIMUM): 17W (@ 12 VDC NOMINAL)
- TEMPERATURE RANGE: -30°C (-22°F) TO 50°C (122°F)
- CONNECTION: CIGARETTE PLUG
- MOUNTING: MAGNETIC
- BASE MATERIAL: ASA
- LENS MATERIAL: POLYCARBONATE
- PRODUCT WEIGHT: 1.0KG (2.2lbs)



- NOTES:
- DIMENSIONS IN MILLIMETRES [INCHES(FOR REFERENCE)]
  - USE SUB ASSEMBLY (100-EB5004G) FOR MANUFACTURE

SCALE 1:3			APPROVALS	DATE	 <b>ECCO</b> ® www.eccolink.com Americas (800) 635-5900   Europe +44 (0)113 237 5340   Asia Pacific +61 (0)3 63322444			
CAD GENERATED DRAWING DO NOT MANUALLY UPDATE. MODEL REFERENCED: C			DRAWN BY: NP	2020-01-08				
TOLERANCES ARE IN INCHES, AND MILLIMETERS TOLERANCES UNLESS OTHERWISE STATED ARE:			CHECKED: LSH	2020-02-17				
MILLIMETERS DECIMALS XX ± 1.0mm XX.X ± 0.5mm	INCHES DECIMALS X.X ± 0.1 X.XX ± 0.04 X.XXX ± 0.02	ANGLES ± 0.5° FRACTIONS ± 1/64	MECH. ENG. KW	2020-02-03	<b>ECCOLED, GOLD, MAG, GRN, 12/24V</b> CUSTOMER PART NO. <b>EB5004G</b>			
			ELEC. ENG. MMG	2020-02-03		PRODUCT SERIES: <b>ECCOLED</b>		
			TEST ENG. JUP	2020-01-09	SIZE: A4	DWG. NO. <b>EB5004G</b>	REV. <b>B</b>	
			SALES.		SHEET 1 OF 1		Project: LC1492	Date Created: 2018-02-07
			Electronically Controlled Use Latest Copy					

THIS DRAWING AND THE DESIGN IT DISCLOSES ARE THE PRIVATE PROPERTY OF ELECTRONIC CONTROLS CO. AND IS ISSUED IN CONFIDENCE FOR ENGINEERING INFORMATION ONLY. THE DRAWING AND / OR DESIGN MAY NOT BE USED, COPIED, REPRODUCED, OR OTHERWISE DISCLOSED IN PART OR AS A WHOLE TO OUTSIDERS OR USED FOR ANY OTHER PURPOSE WITHOUT THE PRIOR WRITTEN CONSENT OF ELECTRONIC CONTROLS CO. THE DRAWING IS SUBJECT TO RECALL AT ANY TIME. YOUR POSSESSION OF THIS DOCUMENT CONSTITUTES ACCEPTANCE OF THESE TERMS. © 2018 ELECTRONIC CONTROLS CO.