



# BEACONS

## ECCOLED SERIES - SILVER

### R65 LED Beacons



The Silver ECCOLED R65 Beacon utilises 9 powerful LEDs, arranged to produce a 360° flash pattern with a flash rate of 125FPM for maximum visibility by using solid-state, maintenance free long-life nature LED technology. This high-performance range has improved EMC, is robust and compact in a popular housing design and is available in five standard mounting options. The ECCOLED range of beacons are suitable for a variety of vehicles including applications where ECE R65 and UK Chapter 8 are a requirement. This range is designed to maximise resilience to excessive vibration, increase the life of the product and is backed by a three-year warranty.

#### Features and Benefits

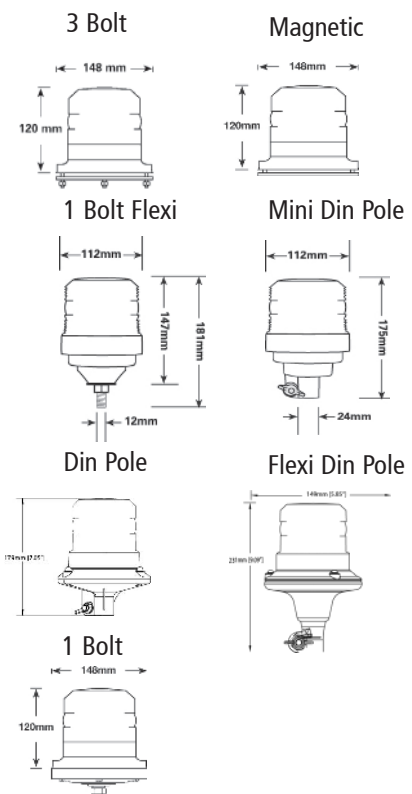
- R65 Double flash (125FPM)
- Polycarbonate lens with robust base
- Long life LED technology
- Operating Voltage Range 12-24V
- 360° light output
- Current Consumption: 1.5 amps @ 12V
- IP69K option (3 bolt only with sealing boot)

#### Models

| PART NO. | VOLTAGE | LEDS | AMPS | MOUNT          | COLOUR | FPM |
|----------|---------|------|------|----------------|--------|-----|
| EB5014A  | 12-24   | 9    | 1.06 | 3 Bolt         | Amber  | 125 |
| EB5015A  | 12-24   | 9    | 1.06 | 1 Bolt Flexi   | Amber  | 125 |
| EB5016A  | 12-24   | 9    | 1.06 | Mini Din Pole  | Amber  | 125 |
| EB5017A  | 12-24   | 9    | 1.06 | Magnetic       | Amber  | 135 |
| EB5009A  | 12-24   | 9    | 2.20 | Flexi Din Pole | Amber  | 125 |
| EB5018A  | 12-24   | 9    | 2.20 | 1 Bolt         | Amber  | 125 |
| EB5006G* | 12-24   | 9    | 2.20 | Mini Din Pole  | Green  | 125 |
| EB5003G* | 12-24   | 9    | 2.20 | Din Pole       | Green  | 125 |
| EB5004G* | 12-24   | 9    | 2.20 | Magnetic       | Green  | 125 |
| EB5009G* | 12-24   | 9    | 2.20 | Flexi Din Pole | Green  | 125 |
| EB5009R* | 12-24   | 9    | 2.20 | Flexi Din Pole | Red    | 125 |

\*Non R65

#### Dimensions



+44 (0)113 237 5340 sales@eccogroup.com