



# DIRECTIONALS

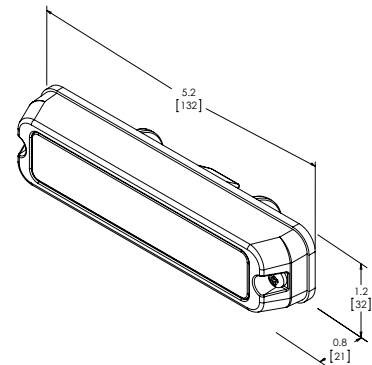


## ED3706 SERIES

### Multi Mount LED

The ED3706 series is an ultra thin, low profile LED. Available in solid and split colour, this compact LED is ideal for a wide variety of applications, offering the flexibility of four mounting options: surface mount, tilt bracket, self-adhesive mount, and edge mount (all necessary hardware is included with each light). Featuring 13 flash patterns and synchronisation capability, this super bright LED is designed for maximum light output at all angles.

### Dimensions



### Models

| PART NO. | COLOURS      | VDC   | AMPS |
|----------|--------------|-------|------|
| ED3706A  | Amber        | 12-24 | 0.9  |
| ED3706B  | Blue         | 12-24 | 0.9  |
| ED3706C  | Clear        | 12-24 | 0.9  |
| ED3706G  | Green        | 12-24 | 0.9  |
| ED3706R  | Red          | 12-24 | 0.9  |
| ED3706AB | Amber, Blue  | 12-24 | 0.9  |
| ED3706AC | Amber, Clear | 12-24 | 0.9  |
| ED3706AG | Amber, Green | 12-24 | 0.9  |
| ED3706AR | Amber, Red   | 12-24 | 0.9  |

### Flash Patterns (13)

- Single
  - Fast Single
  - Double
  - Fast Double
  - Quad\*
  - Fast Quad
  - Triple
  - Quint
  - Steady - Single
  - Steady Burn
  - Modulation
  - 2 Double, 2 Triple, Alt
  - 4 Single, 2 Quad, Alt
- \* default pattern

### Features and Benefits

- Six high-intensity LEDs provide exceptional warning
- 13 flash patterns
- Synchronisable
- Aluminium housing, polycarbonate lens
- Four mounting options (hardware included)
- Temperature Range: -30°C to +50°C

