



DIRECTIONALS



selective coverage

ED3794 UltraFlex™ SERIES

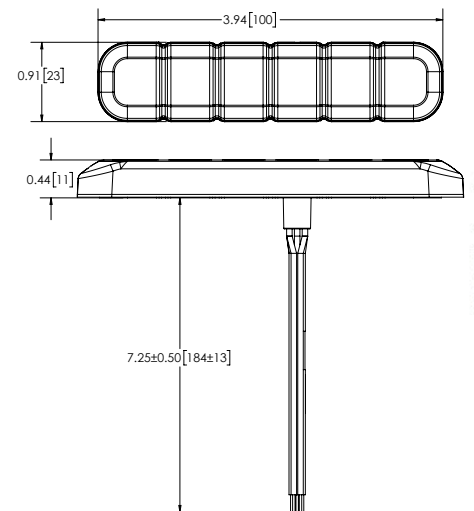
Dual-Color Flexible LED Light

ECCO's UltraFlex is a versatile directional warning light that can be mounted on flat or curved surfaces up to 120° with self-adhesive, very high bond tape. Its 12 dual-color LEDs provide exceptional output with combinations of amber and white colours available. The light heads are protected in a clear, silicone housing that can flex while resisting yellowing and warping. A two-bolt bezel is also included as an accessory for easy installation on flat surfaces.

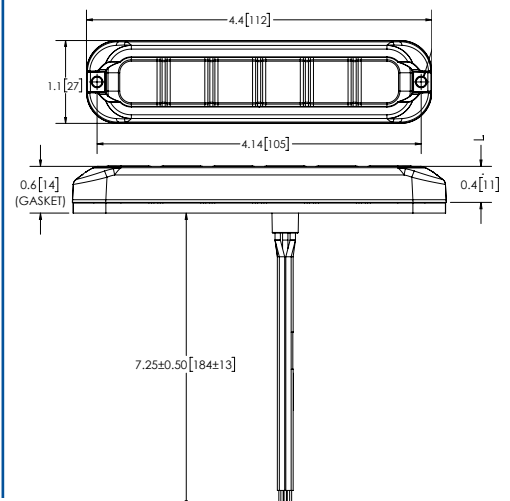
Models

PART NO.	LED COLOUR	AMPS
ED3794AW		0.8

No Bezel

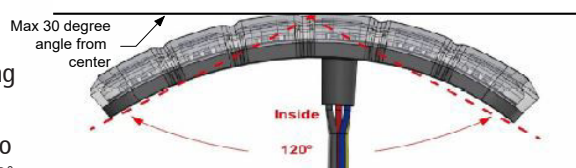


Bezel



Design Features

- 12-24 VDC
- 69 flash patterns including steady burn
- Flexible housing adapts to curved surfaces up to 120°
- Silicone lens with Dow Corning material, prevents yellowing or aging
- Very high bond tape mount or bezel accessory for two-bolt mount on flat surfaces included
- Offset cable to enable non-destructive fitting through panel gaps
- Temperature range: -30°C to 50°C (-22°F to 122°F)
- Sync-capable



+44 (0)113 237 5340 | sales@eccogroup.com