



## DIRECTIONALS



### ED5000 SERIES R65 Directional LED

The ED5000 series is a directional LED warning light that offers the flexibility of multiple mounting options within a single unit, comprised of 6 high intensity LEDs and R65 approval (amber and blue only). 18W power output and the choice of alternative flash patterns with a clear lens a 0.25M potted cable for added security.

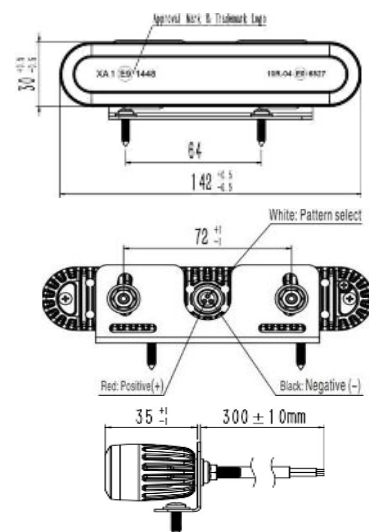
#### Models

PART NO.	VOLTAGE	FLASH PATTERNS	MOUNT
ED5000X	12/24	10	Surface

#### Features and Benefits

- Six high intensity LEDs provide exceptional warning
- Low current draw consumption
- 10 flash patterns
- Aluminium housing, polycarbonate lens
- Encapsulated electronics
- Colourless when not illuminated
- Operating temp: -40°C to +65°C
- Clear lens
- Amps: 1.5@ 12V  
0.75 @ 24V

#### Dimensions



#### Parts & Accessories

1. One flash (600ms)
2. In turn Four Flash (800ms)
3. Five Flash (1000ms)
4. In turn Three Flash (600ms)
5. Frequent Flash (60ms)
6. In turn Double Flash (800ms)
7. Three Flash (600ms)
8. One Flash (960ms)
9. One (410ms)
10. Combination