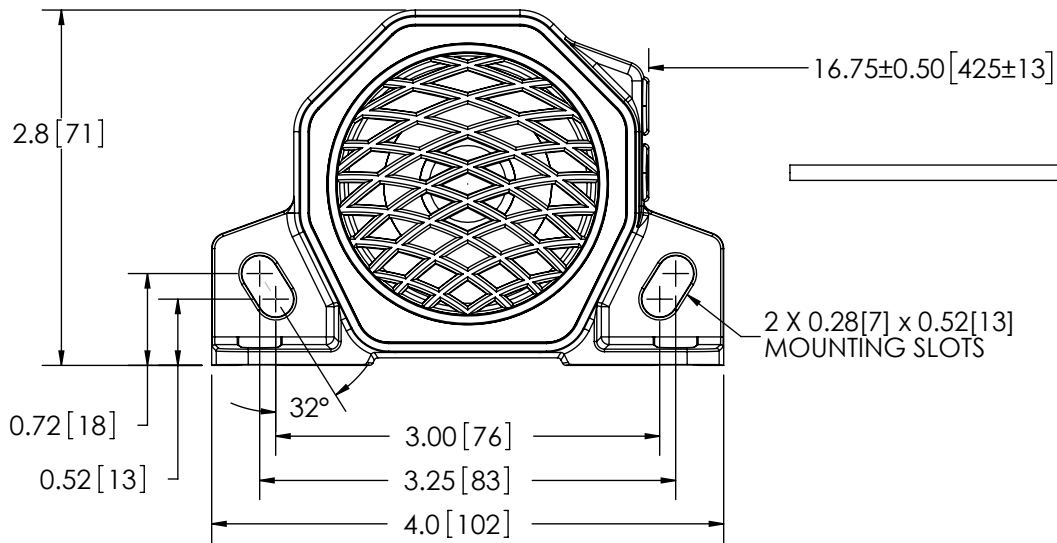
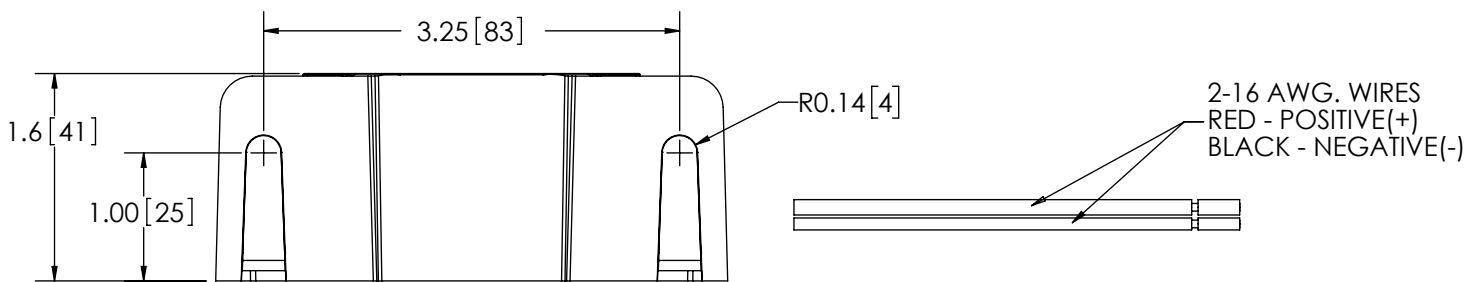


REVISION HISTORY		
REV.	DESCRIPTION	DATE
A1	INITIAL RELEASE PER P3# 03050	2005-06-30
B	RELEASED FROM PROJECT PER P3# 03050	2005-08-24
C	REVISE PER EP0024	2017-11-27


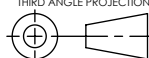


SPECIFICATIONS

- CERTIFICATIONS: **CE**; **UL**; ECE R10; IP-64D
 Note: Unique components, accessories, and hardware kits are not typically included in the Product Certification Test Protocols. Unless otherwise Specified, the Product Certifications referred to herein are predicated upon the base product model configuration.
- SOUND PRESSURE LEVEL: 102 ± 4 dB (A) @ 1.2m (4ft)
- VOLTAGE (NOMINAL): 12-24 VDC
- VOLTAGE (EXTREME): 9.6-36.4 VDC
- CURRENT (PEAK): 0.38 A (@ 12 VDC NOMINAL)
- POWER (MAXIMUM): 5.3 W (@ 12 VDC NOMINAL)
- TEMPERATURE RANGE: -40°F (-40°C) TO 165°F (74°C)
- FREQUENCY: 700 to 2800 Hz
- CONNECTION: 2-16 AWG WIRES
- RECOMMENDED MOUNTING: 1/4 - 20 UNC, GRADE 5 OR BETTER, 1/4" TYPE A, SERIES N OR W WASHER
- HOUSING MATERIAL: GLASS FILLED NYLON
- PRODUCT WEIGHT: 0.7 LBS (0.32 Kg)



NOTES:
 1. DIMENSIONS IN INCHES[MILLIMETERS (FOR REFERENCE)]

SCALE 1:1.5		APPROVALS	DATE	 ECCO [®] www.eccolink.com Americas (800) 635-5900 Europe +44 (0)113 237 5340 Asia Pacific +61 (0)3 63322444 ALARM, CT, 102DB(A), 12-24VDC, EUROPE											
CAD GENERATED DRAWING DO NOT MANUALLY UPDATE. MODEL REFERENCED: B		DRAWN BY	2017-11-07												
TOLERANCES ARE IN INCHES, AND MILLIMETERS TOLERANCES UNLESS OTHERWISE STATED ARE:		CHECKED	ABB												
<table border="1"> <tr> <th>MILLIMETERS DECIMALS</th> <th>INCHES DECIMALS</th> <th>ANGLES</th> </tr> <tr> <td>XX. ± 1.0mm</td> <td>X.X ± 0.1</td> <td>± 0.5°</td> </tr> <tr> <td>XX.X ± 0.5mm</td> <td>X.XX ± 0.04</td> <td>FRACTIONS</td> </tr> <tr> <td></td> <td>X.XXX ± 0.02</td> <td>± 1/64</td> </tr> </table>		MILLIMETERS DECIMALS	INCHES DECIMALS		ANGLES	XX. ± 1.0mm	X.X ± 0.1	± 0.5°	XX.X ± 0.5mm	X.XX ± 0.04	FRACTIONS		X.XXX ± 0.02	± 1/64	MECH. ENG.
MILLIMETERS DECIMALS	INCHES DECIMALS	ANGLES													
XX. ± 1.0mm	X.X ± 0.1	± 0.5°													
XX.X ± 0.5mm	X.XX ± 0.04	FRACTIONS													
	X.XXX ± 0.02	± 1/64													
		ELEC. ENG.	JES	2017-11-07											
		TEST ENG.	JRT	2017-11-20											
		SALES.	DMV	2017-11-09											
		CUSTOMER PART NO. 590-001		PRODUCT SERIES: CT530											
NON DISCLOSURE AGREEMENT		SIZE:	A	DWG. NO.											
THIS DRAWING AND THE DESIGN IT DISCLOSES ARE THE PRIVATE PROPERTY OF ELECTRONIC CONTROLS CO. AND IS ISSUED IN CONFIDENCE FOR ENGINEERING INFORMATION ONLY. THE DRAWING AND / OR DESIGN MAY NOT BE USED, COPIED, REPRODUCED, OR OTHERWISE DISCLOSED IN PART OR AS A WHOLE TO OUTSIDERS OR USED FOR ANY OTHER PURPOSE WITHOUT THE PRIOR WRITTEN CONSENT OF ELECTRONIC CONTROLS CO. THE DRAWING IS SUBJECT TO RECALL AT ANY TIME. YOUR POSSESSION OF THIS DOCUMENT CONSTITUTES ACCEPTANCE OF THESE TERMS. © 2005 ELECTRONIC CONTROLS CO.				590-001 Project: 03050 Date Created: 2005-06-06											
		Electronically Controlled Use Latest Copy		SHEET 1 OF 1 Project: 03050 Date Created: 2005-06-06											
				REV. C											