




# Installation and Operation Instructions ED3777 Series LED Directionals

**IMPORTANT!** Read all instructions before installing and using. Installer: This manual must be delivered to the end user.



**WARNING!**

Failure to install or use this product according to manufacturer's recommendations may result in property damage, serious injury, and/or death to those you are seeking to protect!

 **Do not install and/or operate this safety product unless you have read and understood the safety information contained in this manual.**

1. Proper installation combined with operator training in the use, care, and maintenance of emergency warning devices are essential to ensure the safety of emergency personnel and the public.
2. Emergency warning devices often require high electrical voltages and/or currents. Exercise caution when working with live electrical connections.
3. This product must be properly grounded. Inadequate grounding and/or shorting of electrical connections can cause high current arcing, which can cause personal injury and/or severe vehicle damage, including fire.
4. Proper placement and installation is vital to the performance of this warning device. Install this product so that output performance of the system is maximized and the controls are placed within convenient reach of the operator so that they can operate the system without losing eye contact with the roadway.
5. Do not install this product or route any wires in the deployment area of an air bag. Equipment mounted or located in an air bag deployment area may reduce the effectiveness of the air bag or become a projectile that could cause serious personal injury or death. Refer to the vehicle owner's manual for the air bag deployment area. It is the responsibility of the user/operator to determine a suitable mounting location ensuring the safety of all passengers inside the vehicle particularly avoiding areas of potential head impact.
6. It is the responsibility of the vehicle operator to ensure daily that all features of this product work correctly. In use, the vehicle operator should ensure the projection of the warning signal is not blocked by vehicle components (i.e., open trunks or compartment doors), people, vehicles or other obstructions.
7. The use of this or any other warning device does not ensure all drivers can or will observe or react to an emergency warning signal. Never take the right-of-way for granted. It is the vehicle operator's responsibility to be sure they can proceed safely before entering an intersection, drive against traffic, respond at a high rate of speed, or walk on or around traffic lanes.
8. This equipment is intended for use by authorized personnel only. The user is responsible for understanding and obeying all laws regarding emergency warning devices. Therefore, the user should check all applicable city, state, and federal laws and regulations. The manufacturer assumes no liability for any loss resulting from the use of this warning device.

## SPECIFICATIONS

Size: 4.3"L x 0.9"W x 1.4"H

Weight: 0.3 lbs.

Voltage Range: 12-24VDC

Current draw at 12.8VDC:

ED3777X: 1.3A Max.

ED3777XX: 1.4A Max.

Power Consumption at 12.8 VDC:

ED3777X: 15.6W Max.

ED3777XX: 16.9W Max.

Temperature Range:

-22° to 122°F

-30° to 50°C

Flash Rate:

See Flash Pattern Charts

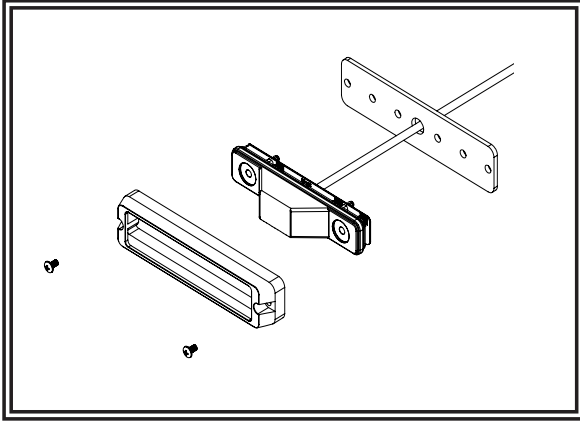
## Prior to installation:

Carefully remove the unit from its packaging. If damage is found, contact the transit company or ECCO. Do not use broken or damaged parts. Prior to mounting, consideration should be given to cable location.

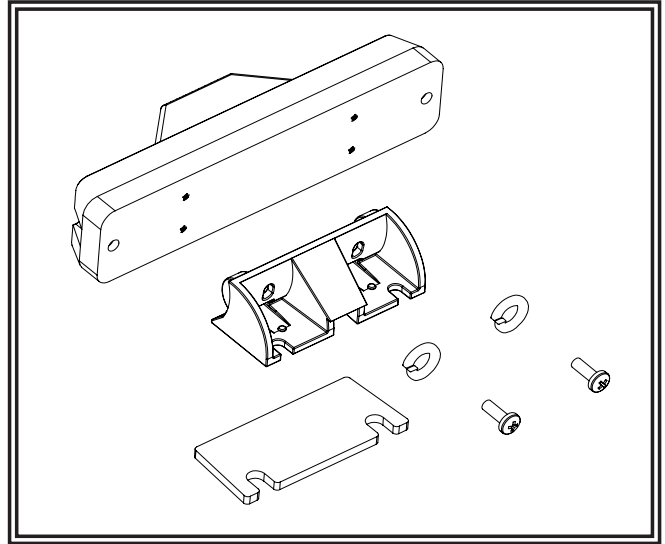
## Mounting Instructions:

**Caution:** When drilling into any vehicle surface, make sure the area is free from any electrical wires, fuel lines, vehicle upholstery, etc. that could be damaged

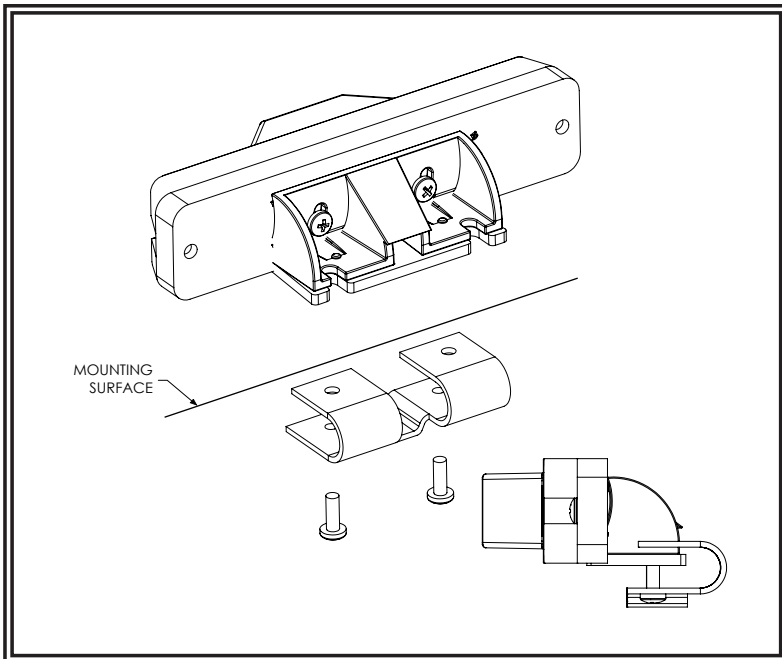
1. Select a flat mounting surface with the visibility of the flash and ease of wiring access taken into consideration.
2. Using the unit or bracket as a template, mark the two mounting hole locations. Drill a third hole for wire access as needed.
3. Mount the directional with the supplied hardware as shown.



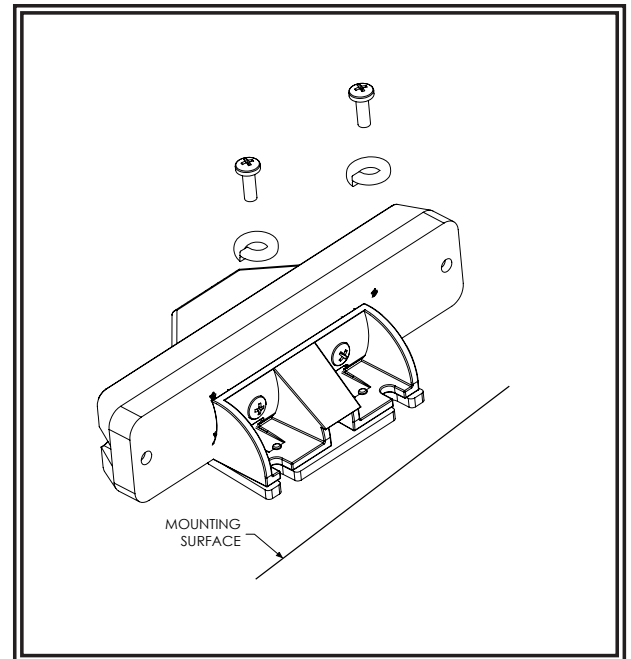
Surface Mount



Adhesive Mount



Permanent Mount



Edge Mount

## Wiring Instructions:

**Important!** This unit is a safety device and it must be connected to its own separate, fused power point to assure its continued operation should any other electrical accessory fail.

Wire as shown in FIGURE 1. All wiring should be a minimum of 20 AWG. The positive line must have a slow blow 3 amp fuse. Routing the ground wire directly back to negative battery terminal is recommended. Pack dielectric grease, such as Dow Corning 4, around each electric connection exposed to moisture or the ambient environment. Isolate any unused wires.

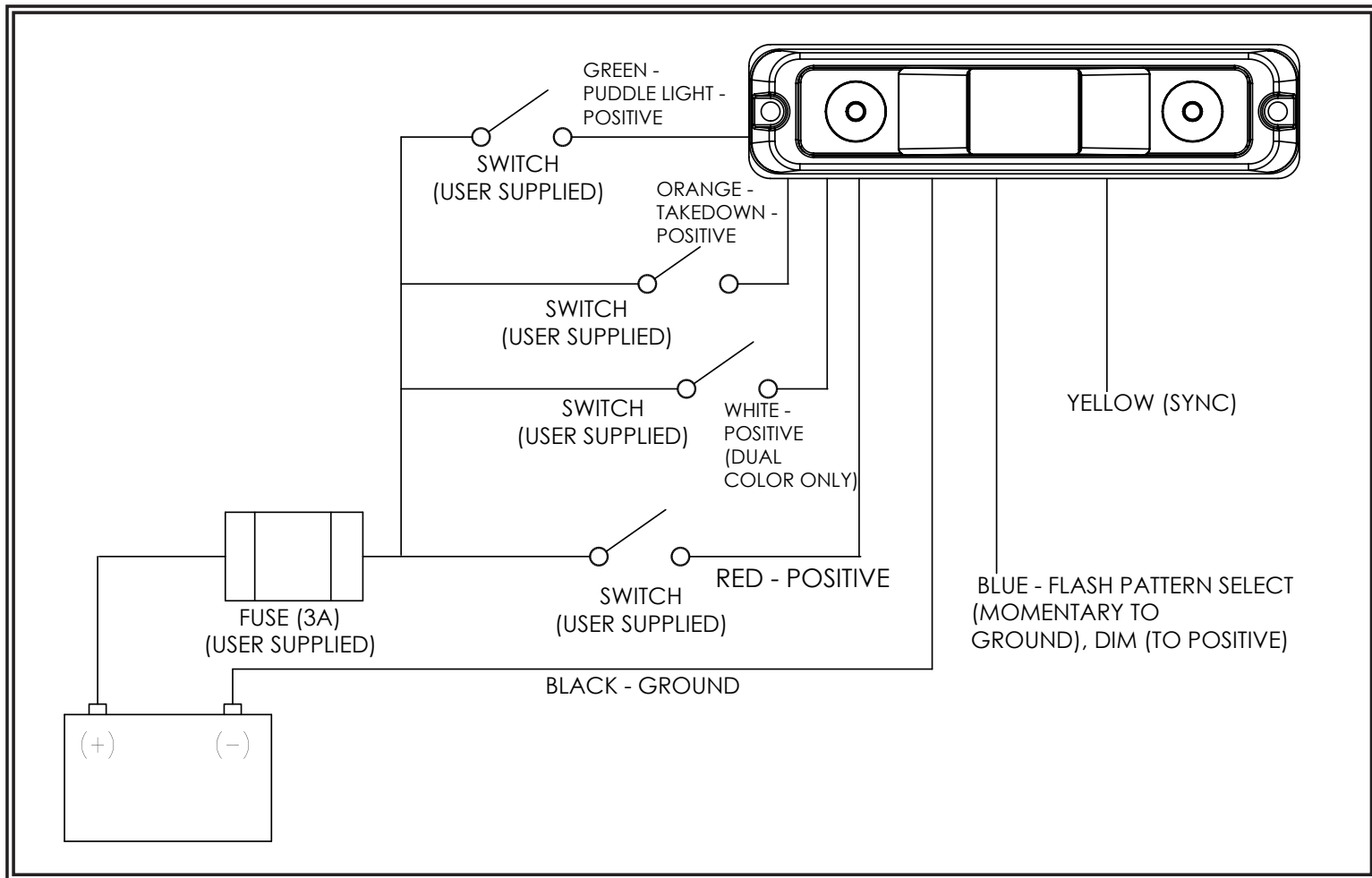


FIGURE 1

## Flash Pattern Selection:

The flash pattern can be selected by powering the individual flash pattern mode and holding the blue wire to the black wire.

- A quick tap will increment by one pattern.
- 1-3 seconds to go to the previous pattern
- 3-5 seconds to return to the factory default pattern
- 5+ seconds to set to the last flash pattern

## Synchronization:

The directional is capable of syncing with other compatible ECCO products by setting the desired flash pattern on each unit individually. It is also strongly recommended that the same rate and style of flash pattern be used on all synced units to produce the most effective warning pattern.

NOTE: To operate sumultaneously, each unit must be set to the same phase (A + A or B + B); to operate alternately, units must be set to have the opposite phase (A + B or B + A). Then, connect the yellow sync wires together and check that the units are flashing in a synchronized manner as expected. If a pattern on one unit appears incorrect, the blue pattern select wire can be used to cycle forward or backward on that individual unit until the correct pattern is selected.

NOTE: This will only change the pattern in the one unit and will not affect the other units connected to the yellow sync wire.

SINGLE COLOR Flash Pattern Chart/DE UN SOLO COLOR Tabla de patrones de destello/COULEUR UNIQUE Tableau des effets clignotants											
PATTERN	MODE	DESCRIPTION	SYNC	SAE J595		SAE J845				CA T13	ECE R65
				AMBER, BLUE, RED	WHITE	AMBER CLASS 1S	BLUE CLASS 1S	RED CLASS 1S	WHITE CLASS 1S	AMBER, BLUE, RED	AMBER, BLUE, RED
1	1-Default	Single Flash 75FPM sim. Phase1	yes	Class 1	Class 1	140°	140°	160°	80°	Class B	N/C
	2	Single Flash 75FPM sim. Phase2	yes	Class 1	Class 1	140°	140°	160°	80°	Class B	N/C
	3	Single Flash 75FPM Alt.	yes	N/C	N/C	N/C	N/C	N/C	N/C	N/C	N/C
2	4	Single Flash 120FPM sim. Phase1	yes	Class 1	Class 1	120°	120°	140°	N/C	N/C	Class 1
	5	Single Flash 120FPM sim. phase2	yes	Class 1	Class 1	120°	120°	140°	N/C	N/C	Class 1
	6	Single Flash 120FPM Alt.	yes	N/C	N/C	N/C	N/C	N/C	N/C	N/C	N/C
3	7	Double Flash 75FPM sim. Phase1	yes	Class 1	Class 1	140°	140°	160°	80°	Class B	N/C
	8	Double Flash 75FPM sim. phase2	yes	Class 1	Class 1	140°	140°	160°	80°	Class B	N/C
	9	Double Flash 75FPM Alt.	yes	N/C	N/C	N/C	N/C	N/C	N/C	N/C	N/C
4	10	Double Flash 120FPM sim. Phase1	yes	Class 1	Class 1	120°	120°	140°	60°	N/C	Class 1
	11	Double Flash 120FPM sim. phase2	yes	Class 1	Class 1	120°	120°	140°	60°	N/C	Class 1
	12	Double Flash 120FPM Alt.	yes	N/C	N/C	N/C	N/C	N/C	N/C	N/C	N/C
5	13	Quad Flash 75FPM sim. Phase1	yes	Class 1	Class 2	N/C	N/C	60°	N/C	N/C	N/C
	14	Quad Flash 75FPM sim. Phase2	yes	Class 1	Class 2	N/C	N/C	60°	N/C	N/C	N/C
	15	Quad Flash 75FPM Alt.	yes	N/C	N/C	N/C	N/C	N/C	N/C	N/C	N/C
6	16	Quad Flash 150FPM sim. Phase1	yes	Class 1	Class 2	N/C	N/C	60°	N/C	N/C	N/C
	17	Quad Flash 150FPM sim. Phase2	yes	Class 1	Class 2	N/C	N/C	60°	N/C	N/C	N/C
	18	Quad Flash 150FPM Alt.	yes	N/C	N/C	N/C	N/C	N/C	N/C	N/C	N/C
7	19	Triple 75FPM sim. Phase1	yes	Class 1	Class 1	140°	120°	160°	80°	N/C	N/C
	20	Triple 75FPM sim. Phase2	yes	Class 1	Class 1	140°	120°	160°	80°	N/C	N/C
	21	TripleAlter 75FPM Alt.	yes	N/C	N/C	N/C	N/C	N/C	N/C	N/C	N/C
8	22	Quint Flash 150FPM sim. Phase1	yes	Class 1	Class 2	N/C	N/C	60°	N/C	N/C	N/C
	23	Quint Flash 150FPM sim. Phase2	yes	Class 1	Class 2	N/C	N/C	60°	N/C	N/C	N/C
	24	Quint Flash 150FPM Alt.	yes	N/C	N/C	N/C	N/C	N/C	N/C	N/C	N/C
9	25	Steady - Single	NO	N/C	N/C	N/C	N/C	N/C	N/C	N/C	N/C
10	26	Steady Burn	NO	N/C	N/C	N/C	N/C	N/C	N/C	N/C	N/C
11	27	Modulation	NO	N/C	N/C	N/C	N/C	N/C	N/C	N/C	N/C
12	28	2 Double Flash, 2 Triple Alt.	NO	N/C	N/C	N/C	N/C	N/C	N/C	N/C	N/C
13	29	4 Single Flash , 2 Quad Flash Alt.	NO	N/C	N/C	N/C	N/C	N/C	N/C	N/C	N/C

DUAL COLOR Flash Pattern Chart/COLOR DOBLE Tabla de patrones de destello/BICOLORE Tableau des effets clignotants

PATTERN	MODE 1 Color 1 & Color 3 (Red Wire)	MODE 2 Color 2 & Color 4 (White Wire)	MODE 1 Color 1 & Color 3 MODE 2 Color 2 & Color 4 (Red Wire & White Wire)	PATTERNS	Mark	SYNC.	SAE J595				SAE J845				CA T13	ECE R65
							AMBER, BLUE, RED, WHITE	AMBER CLASS 1S	BLUE CLASS 1S	RED CLASS 1S	WHITE CLASS 1S	AMBER, BLUE, RED	AMBER, BLUE, RED			
1	1-Default		1	Single 75FPM Ph1 Color 1 Synchronous Color 3	A	yes	Class 1	120°	100°	120°	100°		Class B	N/C		
	2		2	Single 75FPM Ph2 Color 1 Synchronous Color 3		yes	Class 1	120°	100°	120°	100°		Class B	N/C		
			3	Single 75FPM Ph1 Color 1 Alternately Color 4		yes	N/C	N/C	N/C	N/C	N/C		N/C	N/C		
			4	Single 75FPM Ph2 Color 1 Alternately Color 4		yes	N/C	N/C	N/C	N/C	N/C		N/C	N/C		
		1-Default	5	Single 75FPM Ph1 Color 2 Synchronous Color 4		yes	Class 1	120°	100°	120°	100°		Class B	N/C		
		2	6	Single 75FPM Ph2 Color 2 Synchronous Color 4		yes	Class 1	120°	100°	120°	100°		Class B	N/C		
		3	7	Single 38FPM Ph1(Color 1 Synchronous Color 3) Alternately (Color 2 Synchronous Color 4)		yes	N/C	N/C	N/C	N/C	N/C		N/C	N/C		
		4	8	Single 38FPM Ph2(Color 1 Synchronous Color 3) Alternately (Color 2 Synchronous Color 4)		yes	N/C	N/C	N/C	N/C	N/C		N/C	N/C		
		5	9	Single 38FPM (Color 1 Alternately Color 2) Alternately (Color 3 Alternately Color 4)		yes	N/C	N/C	N/C	N/C	N/C		N/C	N/C		
			10	Single 375FPMFPM Ph1 Color 1 Synchronous Color 3		yes	N/C	N/C	N/C	N/C	N/C		N/C	N/C		
2			11	Single 375FPMFPM Ph2 Color 1 Synchronous Color 3	D	yes	N/C	N/C	N/C	N/C		N/C	N/C			
			12	Single 375FPMFPM Ph1 Color 1 Alternately Color 4		yes	N/C	N/C	N/C	N/C	N/C		N/C	N/C		
			13	Single 375FPMFPM Ph2 Color 1 Alternately Color 4		yes	N/C	N/C	N/C	N/C	N/C		N/C	N/C		
		6	14	Single 375FPMFPM Ph1 Color 2 Synchronous Color 4		yes	N/C	N/C	N/C	N/C	N/C		N/C	N/C		
		7	15	Single 375FPMFPM Ph2 Color 2 Synchronous Color 4		yes	N/C	N/C	N/C	N/C	N/C		N/C	N/C		
		8	16	Single 187FPMFPM Ph1 (Color 1 Synchronous Color 3) Alternately (Color 2 Synchronous Color 4)		yes	N/C	N/C	N/C	N/C	N/C		N/C	N/C		
		9	17	Single 187FPMFPM Ph2 (Color 1 Synchronous Color 3) Alternately (Color 2 Synchronous Color 4)		yes	N/C	N/C	N/C	N/C	N/C		N/C	N/C		
		10	18	Single 187FPMFPM (Color 1 Alternately Color 2) Alternately (Color 3 Alternately Color 4)		yes	N/C	N/C	N/C	N/C	N/C		N/C	N/C		
			19	Double 75FPM Ph1 Color 1 Synchronous Color 3		A	yes	Class 1	120°	100°	120°	100°		Class B	N/C	
			20	Double 75FPM Ph2 Color 1 Synchronous Color 3			yes	Class 1	120°	100°	120°	100°		Class B	N/C	
		21	Double 75FPM Ph1 Color 1 Alternately Color 4	yes	N/C		N/C	N/C	N/C	N/C		N/C	N/C			
		22	Double 75FPM Ph2 Color 1 Alternately Color 4	yes	N/C		N/C	N/C	N/C	N/C		N/C	N/C			
		23	Double 75FPM Ph1 Color 2 Synchronous Color 4	yes	Class 1		120°	100°	120°	100°		Class B	N/C			
		24	Double 75FPM Ph2 Color 2 Synchronous Color 4	yes	Class 1		120°	100°	120°	100°		Class B	N/C			
	13	25	Double 38FPM Ph1 (Color 1 Synchronous Color 3) Alternately (Color 2 Synchronous Color 4)	yes	N/C		N/C	N/C	N/C	N/C		N/C	N/C			
	14	26	Double 38FPM Ph2 (Color 1 Synchronous Color 3) Alternately (Color 2 Synchronous Color 4)	yes	N/C		N/C	N/C	N/C	N/C		N/C	N/C			
	15	27	Double 38FPM (Color 1 Alternately Color 2) Alternately (Color 3 Alternately Color 4)	yes	N/C		N/C	N/C	N/C	N/C		N/C	N/C			
		28	Double 120FPM Ph1 Color 1 Synchronous Color 3	B	yes		Class 1	100°	80°	80°	60°		N/C	Class 1		
		29	Double 120FPM Ph2 Color 1 Synchronous Color 3		yes	Class 1	100°	80°	80°	60°		N/C	Class 1			
		30	Double 120FPM Ph1 Color 1 Alternately Color 4		yes	N/C	N/C	N/C	N/C	N/C		N/C	N/C			
		31	Double 120FPM Ph2 Color 1 Alternately Color 4		yes	N/C	N/C	N/C	N/C	N/C		N/C	N/C			
	16	32	Double 120FPM Ph1 Color 2 Synchronous Color 4		yes	Class 1	100°	80°	80°	60°		N/C	Class 1			
	17	33	Double 120FPM Ph2 Color 2 Synchronous Color 4		yes	Class 1	100°	80°	80°	60°		N/C	Class 1			
	18	34	Double 60FPM Ph1 (Color 1 Synchronous Color 3) Alternately (Color 2 Synchronous Color 4)		yes	N/C	N/C	N/C	N/C	N/C		N/C	N/C			
	19	35	Double 60FPM Ph2 (Color 1 Synchronous Color 3) Alternately (Color 2 Synchronous Color 4)		yes	N/C	N/C	N/C	N/C	N/C		N/C	N/C			
	20	36	Double 60FPM (Color 1 Alternately Color 2) Alternately (Color 3 Alternately Color 4)		yes	N/C	N/C	N/C	N/C	N/C		N/C	N/C			
		37	Triple 75FPM Ph1 Color 1 Synchronous Color 3		A	yes	Class 1	120°	100°	120°	100°		Class B	N/C		
		38	Triple 75FPM Ph2 Color 1 Synchronous Color 3	yes		Class 1	120°	100°	120°	100°		Class B	N/C			
		39	Triple 75FPM Ph1 Color 1 Alternately Color 4	yes		N/C	N/C	N/C	N/C	N/C		N/C	N/C			
		40	Triple 75FPM Ph2 Color 1 Alternately Color 4	yes		N/C	N/C	N/C	N/C	N/C		N/C	N/C			
	21	41	Triple 75FPM Ph1 Color 2 Synchronous Color 4	yes		Class 1	120°	100°	120°	100°		Class B	N/C			
	22	42	Triple 75FPM Ph2 Color 2 Synchronous Color 4	yes		Class 1	120°	100°	120°	100°		Class B	N/C			
	23	43	Triple 38FPM Ph1 (Color 1 Synchronous Color 3) Alternately (Color 2 Synchronous Color 4)	yes		N/C	N/C	N/C	N/C	N/C		N/C	N/C			
	24	44	Triple 38FPM Ph2 (Color 1 Synchronous Color 3) Alternately (Color 2 Synchronous Color 4)	yes		N/C	N/C	N/C	N/C	N/C		N/C	N/C			
	25	45	Triple 38FPM (Color 1 Alternately Color 2) Alternately (Color 3 Alternately Color 4)	yes		N/C	N/C	N/C	N/C	N/C		N/C	N/C			
		46	Quad 75FPM Ph1 Color 1 Synchronous Color 3	A		yes	Class 1	100°	100°	80°	80°		N/C	N/C		
		47	Quad 75FPM Ph2 Color 1 Synchronous Color 3		yes	Class 1	100°	100°	80°	80°		N/C	N/C			
		48	Quad 75FPM Ph1 Color 1 Alternately Color 4		yes	N/C	N/C	N/C	N/C	N/C		N/C	N/C			
		49	Quad 75FPM Ph2 Color 1 Alternately Color 4		yes	N/C	N/C	N/C	N/C	N/C		N/C	N/C			
	26	50	Quad 75FPM Ph1 Color 2 Synchronous Color 4		yes	Class 1	100°	100°	80°	80°		N/C	N/C			
	27	51	Quad 75FPM Ph2 Color 2 Synchronous Color 4		yes	Class 1	100°	100°	80°	80°		N/C	N/C			
	28	52-Default	Quad 38FPM Ph1 (Color 1 Synchronous Color 3) Alternately (Color 2 Synchronous Color 4)		yes	N/C	N/C	N/C	N/C	N/C		N/C	N/C			
	29	53	Quad 38FPM Ph2 (Color 1 Synchronous Color 3) Alternately (Color 2 Synchronous Color 4)		yes	N/C	N/C	N/C	N/C	N/C		N/C	N/C			
	30	54	Quad 38FPM (Color 1 Alternately Color 2) Alternately (Color 3 Alternately Color 4)		yes	N/C	N/C	N/C	N/C	N/C		N/C	N/C			
		55	Quad 120FPM Ph1 Color 1 Synchronous Color 3		B	yes	Class 1	100°	80°	80°	60°		N/C	N/C		
		56	Quad 120FPM Ph2 Color 1 Synchronous Color 3	yes		Class 1	100°	80°	80°	60°		N/C	N/C			
		57	Quad 120FPM Ph1 Color 1 Alternately Color 4	yes		N/C	N/C	N/C	N/C	N/C		N/C	N/C			
		58	Quad 120FPM Ph2 Color 1 Alternately Color 4	yes		N/C	N/C	N/C	N/C	N/C		N/C	N/C			
	31	59	Quad 120FPM Ph1 Color 2 Synchronous Color 4	yes		Class 1	100°	80°	80°	60°		N/C	N/C			
	32	60	Quad 120FPM Ph2 Color 2 Synchronous Color 4	yes		Class 1	100°	80°	80°	60°		N/C	N/C			
	33	61	Quad 60FPM Ph1 (Color 1 Synchronous Color 3) Alternately (Color 2 Synchronous Color 4)	yes		N/C	N/C	N/C	N/C	N/C		N/C	N/C			
	34	62	Quad 60FPM Ph2 (Color 1 Synchronous Color 3) Alternately (Color 2 Synchronous Color 4)	yes		N/C	N/C	N/C	N/C	N/C		N/C	N/C			
	35	63	Quad 60FPM (Color 1 Alternately Color 2) Alternately (Color 3 Alternately Color 4)	yes		N/C	N/C	N/C	N/C	N/C		N/C	N/C			
		64	Modulation (Color 1 Synchronous Color 3) Alternately (Color 2 Synchronous Color 4)	N/A		no	N/C	N/C	N/C	N/C	N/C		N/C	N/C		
9		65	2 Double 2 Quad (Color 1 Synchronous Color 3) Alternately (Color 2 Synchronous Color 4)		no	N/C	N/C	N/C	N/C	N/C		N/C	N/C			
10		66	4 Single 2 Triple 1 Quad (Color 1 Synchronous Color 3) Alternately (Color 2 Synchronous Color 4)		no	N/C	N/C	N/C	N/C	N/C		N/C	N/C			
11		67	1 Double 1 Triple 1 Quad (Color 1 Synchronous Color 3) Alternately (Color 2 Synchronous Color 4)		no	N/C	N/C	N/C	N/C	N/C		N/C	N/C			
12	36	68	Steady burn-Color 1 & 3		no	N/C	N/C	N/C	N/C	N/C		N/C	N/C			
	36	69	Steady burn-Color 2 & 4		no	N/C	N/C	N/C	N/C	N/C		N/C	N/C			

**Manufacturer Limited Warranty and Limitation of Liability:**

Manufacturer warrants that on the date of purchase, this product will conform to Manufacturer's specifications for this product (which are available from the Manufacturer upon request). This Limited Warranty extends for Thirty-Six (36) months from the date of purchase.

**DAMAGE TO PARTS OR PRODUCTS RESULTING FROM TAMPERING, ACCIDENT, ABUSE, MISUSE, NEGLIGENCE, UNAPPROVED MODIFICATIONS, FIRE OR OTHER HAZARD; IMPROPER INSTALLATION OR OPERATION; OR NOT BEING MAINTAINED IN ACCORDANCE WITH THE MAINTENANCE PROCEDURES SET FORTH IN MANUFACTURER'S INSTALLATION AND OPERATING INSTRUCTIONS VOIDS THIS LIMITED WARRANTY.**

**Exclusion of Other Warranties:**

MANUFACTURER MAKES NO OTHER WARRANTIES, EXPRESSED OR IMPLIED. THE IMPLIED WARRANTIES FOR MERCHANTABILITY, QUALITY OR FITNESS FOR A PARTICULAR PURPOSE, OR ARISING FROM A COURSE OF DEALING, USAGE OR TRADE PRACTICE ARE HEREBY EXCLUDED AND SHALL NOT APPLY TO THE PRODUCT AND ARE HEREBY DISCLAIMED, EXCEPT TO THE EXTENT PROHIBITED BY APPLICABLE LAW. ORAL STATEMENTS OR REPRESENTATIONS ABOUT THE PRODUCT DO NOT CONSTITUTE WARRANTIES.

**Remedies and Limitation of Liability:**

MANUFACTURER'S SOLE LIABILITY AND BUYER'S EXCLUSIVE REMEDY IN CONTRACT, TORT (INCLUDING NEGLIGENCE), OR UNDER ANY OTHER THEORY AGAINST MANUFACTURER REGARDING THE PRODUCT AND ITS USE SHALL BE, AT MANUFACTURER'S DISCRETION, THE REPLACEMENT OR REPAIR OF THE PRODUCT, OR THE REFUND OF THE PURCHASE PRICE PAID BY BUYER FOR NON-CONFORMING PRODUCT. IN NO EVENT SHALL MANUFACTURER'S LIABILITY ARISING OUT OF THIS LIMITED WARRANTY OR ANY OTHER CLAIM RELATED TO THE MANUFACTURER'S PRODUCTS EXCEED THE AMOUNT PAID FOR THE PRODUCT BY BUYER AT THE TIME OF THE ORIGINAL PURCHASE. IN NO EVENT SHALL MANUFACTURER BE LIABLE FOR LOST PROFITS, THE COST OF SUBSTITUTE EQUIPMENT OR LABOR, PROPERTY DAMAGE, OR OTHER SPECIAL, CONSEQUENTIAL, OR INCIDENTAL DAMAGES BASED UPON ANY CLAIM FOR BREACH OF CONTRACT, IMPROPER INSTALLATION, NEGLIGENCE, OR OTHER CLAIM, EVEN IF MANUFACTURER OR A MANUFACTURER'S REPRESENTATIVE HAS BEEN ADVISED OF THE POSSIBILITY OF SUCH DAMAGES. MANUFACTURER SHALL HAVE NO FURTHER OBLIGATION OR LIABILITY WITH RESPECT TO THE PRODUCT OR ITS SALE, OPERATION AND USE, AND MANUFACTURER NEITHER ASSUMES NOR AUTHORIZES THE ASSUMPTION OF ANY OTHER OBLIGATION OR LIABILITY IN CONNECTION WITH SUCH PRODUCT.

This Limited Warranty defines specific legal rights. You may have other legal rights which vary from jurisdiction to jurisdiction. Some jurisdictions do not allow the exclusion or limitation of incidental or consequential damages.



833 West Diamond St, Boise, Idaho 83705  
**Customer Service** USA 800-635-5900  
UK +44 (0)113 237 5340 | AUS +61 (0)3 63322444  
**ECCOESG.com**

An ECCO SAFETY GROUP™ Brand  
**ECCOSAFETYGROUP.com**

**ECCO®**

# Instrucciones de Instalación y Operación ED3777 Luz de Advertencia

**¡IMPORTANTE!** Lea todas las instrucciones antes de instalar y utilizar. Instalador: Este manual se debe entregar al usuario final.

**¡ADVERTENCIA!**

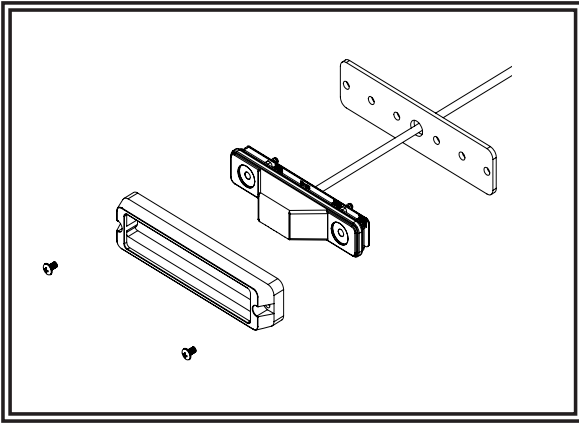
Si no sigue las instrucciones del fabricante a la hora de instalar o usar el producto, pueden producirse daños materiales, y lesiones graves o incluso mortales a aquellos que pretende proteger!



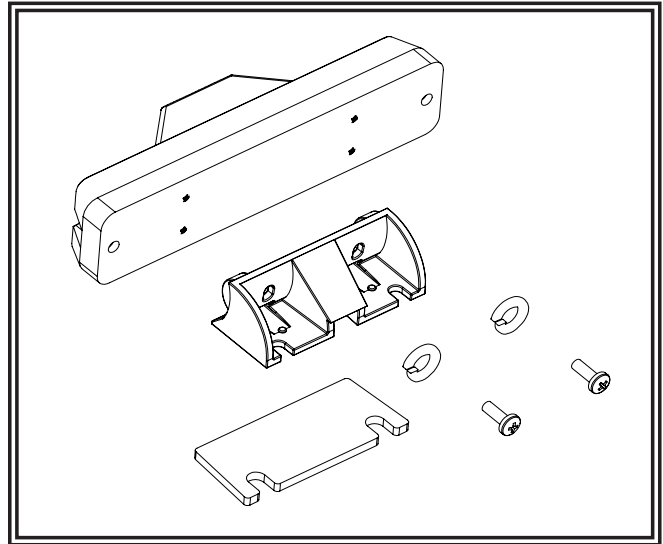
**No instale ni opere este producto de seguridad, a menos que haya leído y comprendido la información de seguridad contenida en este manual.**

1. Para garantizar su propia seguridad y la de las personas a las que intenta proteger, es esencial una instalación correcta, combinada con la formación de operador en el uso, cuidado y mantenimiento de los dispositivos de alerta de emergencia.
2. Tenga cuidado cuando manipule conexiones eléctricas con corriente.
3. Este producto debe estar conectado a tierra correctamente. Una conexión a tierra incorrecta o unas conexiones eléctricas cortocircuitadas pueden provocar arcos de corriente alta, lo que puede ocasionar lesiones personales o daños graves en el vehículo, incluso un incendio.
4. La colocación e instalación adecuadas son vitales para el buen funcionamiento de este dispositivo de alarma. Instale este producto de forma que permita un rendimiento óptimo del sistema y los controles estén situados de modo que el operador pueda alcanzarlos cómodamente y manejar el sistema sin perder en ningún momento el contacto visual con la calzada.
5. No instale este producto ni coloque los cables en la zona de despliegue de un airbag. Si el equipo se monta o coloca en la zona de despliegue de un airbag, el airbag perderá eficacia o el equipo puede salir despedido, lo cual puede causar lesiones graves o incluso mortales. Consulte el manual del propietario del vehículo para conocer la zona de despliegue de los airbags. El usuario u operador son responsables de determinar una posición de montaje adecuada que garantice la seguridad de todos los ocupantes del vehículo, y deben evitar zonas que puedan provocar golpes en la cabeza.
6. Es responsabilidad del operador del vehículo asegurarse de que todas las características de este producto funcionan correctamente durante su uso. Durante su uso, el operador del vehículo debe asegurarse de que no haya componentes del vehículo (como los maleteros o puertas del habitáculo abiertos), personas, vehículos u otros obstáculos que bloqueen la señal de alarma.
7. El uso de este o cualquier otro dispositivo de alarma no garantiza que los conductores puedan o quieran observar o reaccionar a la señal de alarma. Nunca dé por hecho que tiene prioridad de paso. Es responsabilidad enteramente suya asegurarse de que puede continuar de forma segura antes de entrar en una intersección, conducir en sentido contrario, responder a una gran velocidad o caminar por los carriles de tráfico o cerca de ellos.
8. El uso de este equipo está destinado exclusivamente a personal autorizado. El usuario es responsable de conocer y acatar todas las leyes vigentes relacionadas con dispositivos de señales de advertencia. Por lo tanto, el usuario debe comprobar todas las leyes y normativas de ámbito metropolitano, regional, nacional y cualquier otro ámbito pertinente. El fabricante no asume responsabilidad alguna por pérdidas derivadas del uso de este dispositivo de alarma.

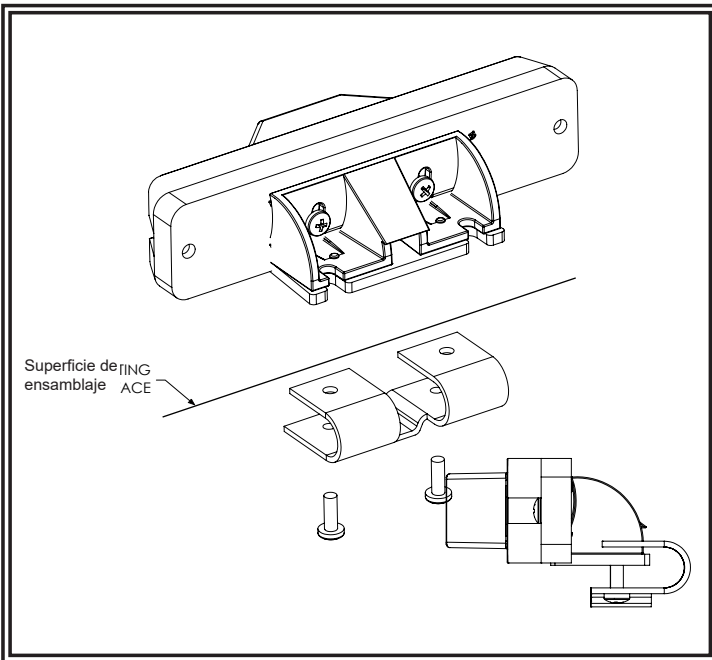
## Ensamblaje:



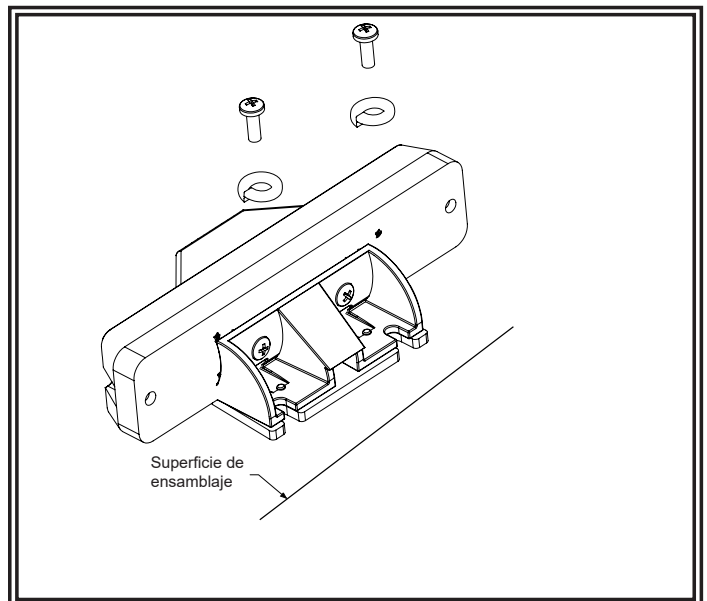
Ensamblaje en la superficie



Ensamblaje adhesivo



Ensamblaje en el borde



Ensamblaje permanente

### Alambre: ED3777

ROJO: Positivo (se necesita añadir un fusible 2A)

NEGRO: Negativo

AZUL: Conmutación de patrones

AMARILLO: Función sincronizada

(Se puede sincronizar hasta 8 unidades)

NARANJA: Operación de reducción de la luz

(se necesita añadir un fusible 2A)

VERDE: Operación de luz de suelo

(se necesita añadir un fusible 2A)

### Ambiente de operación:

**Temperatura ambiente:** -30 a 50°C

#### OPERACIÓN EN FASE:

La Fase 1 (Ph1) destella simultáneamente con Ph1

La Fase 2 (Ph2) destella simultáneamente con Ph2

(Se puede sincronizar hasta 8 unidades)

#### Aplique el alambre AZUL A NEGRO:

- Menos de 1 seg. para el próximo patrón
- Entre 1-3 seg. para el patrón anterior
- Entre 3-5 seg. para el patrón predeterminado de fábrica
- Más de 5 seg. pasa por defecto al patrón #13 (ED3777) y al patrón #12 (ED3777XX)

### Cable: ED3777XX

ROJO: Positivo, Colores 1 y 3 (se necesita añadir un fusible 5A)

BLANCO: Positivo, Colores 2 y 4 (se necesita añadir un fusible 5A)

NEGRO: Negativo

AZUL: Selección de patrón en negativo

AMARILLO: Función sincronizada

(Se puede sincronizar hasta 8 unidades)

NARANJA: Operación de reducción de la luz

(se necesita añadir un fusible 2A)

VERDE: Operación de luz de suelo

(se necesita añadir un fusible 2A)

	ROJO	BLANCO
<b>PRODUCTO</b>	<b>1 Y 3 COLORES</b>	<b>2 Y 4 COLORES</b>
ED3777AW	ÁMBAR	BLANCO
ED3777BW	AZUL	BLANCO
ED3777RB	ROJO	AZUL
ED3777RW	ROJO	BLANCO
ED3777AG	ÁMBAR	VERDE
ED3777AB	ÁMBAR	AZUL
ED3777AR	ÁMBAR	ROJO



## DETECCIÓN Y RESOLUCIÓN DE PROBLEMAS

Las series ED3777 y ED3777XX han sido probadas y aprobadas en fábrica. Si las funciones o el dispositivo fallan, revise lo siguiente:

1. Luego de conectarse al suministro de energía, asegúrese de que el extremo de la fuente de energía esté conectado de forma correcta. Y luego, asegúrese que no esté ocurriendo corriente de cortocircuito.
2. Asegúrese que el interruptor de energía esté en la posición de "ON" (encendido).

### Limitación de responsabilidad y garantía limitada del fabricante:

El fabricante garantiza que al momento de la compra, este producto cumple con las especificaciones del fabricante para el mismo (disponibles a pedido). El fabricante garantiza además que el presente producto está libre de defectos en sus materiales y en su fabricación. Esta garantía limitada se extiende durante sesenta (60) meses a partir de la fecha de la compra. Pueden aplicarse otras garantías. Para más información, comuníquese con el fabricante. El fabricante, a criterio propio, reparará o cambiará todo producto que determine como defectuoso y que esté sujeto a la presente garantía limitada.

EL DAÑO A LAS PIEZAS O PRODUCTOS QUE RESULTE DE LA MANIPULACIÓN INDEBIDA, ACCIDENTES, ABUSO, USO INDEBIDO, NEGLIGENCIA, MODIFICACIONES NO APROBADAS, INCENDIOS U OTROS PELIGROS, LA INSTALACIÓN O EL USO INCORRECTOS O LA FALTA DE MANTENIMIENTO CONFORME A LOS PROCEDIMIENTOS DE MANTENIMIENTO QUE SE ESTABLECEN EN LAS INSTRUCCIONES DE INSTALACIÓN Y USO DEL FABRICANTE, ANULA LA PRESENTE GARANTÍA LIMITADA.

LAS REPRESENTACIONES O DESCRIPCIONES ORALES DEL PRODUCTO QUE PUEDAN HABER SIDO REALIZADAS POR VENEDORES, DISTRIBUIDORES, AGENTES U OTROS REPRESENTANTES DEL FABRICANTE NO CONSTITUYEN GARANTÍAS. ESTA GARANTÍA LIMITADA NO PODRÁ ENMENDARSE, MODIFICARSE NI AMPLIARSE EXCEPTO MEDIANTE UN ACUERDO ESCRITO FIRMADO POR UN REPRESENTANTE AUTORIZADO DEL FABRICANTE QUE HAGA REFERENCIA EN FORMA EXPRESA A ELLA.

### Exclusión de otras garantías:

EL FABRICANTE NO OTORGA NINGUNA OTRA GARANTÍA, EXPRESA O IMPLÍCITA. MEDIANTE LA PRESENTE, SE EXCLUYEN LAS GARANTÍAS IMPLÍCITAS DE COMERCIABILIDAD O APTITUD PARA UN PROPÓSITO EN PARTICULAR, QUE NO SE APLICARÁN AL PRODUCTO. EL ÚNICO Y EXCLUSIVO REMEDIO DEL COMPRADOR CON RESPECTO AL CONTRATO, DERECHOS POR DAÑOS O CUALQUIER OTRA TEORÍA CONTRA EL FABRICANTE RELACIONADA CON EL PRODUCTO Y SU USO SERÁ LA REPARACIÓN O EL REEMPLAZO DEL PRODUCTO SEGÚN SE DESCRIBE ANTERIORMENTE.

### Limitación de responsabilidad:

EN EL CASO DE RESPONSABILIDAD POR DAÑOS QUE SURJAN DE LA PRESENTE GARANTÍA LIMITADA O POR CUALQUIER OTRO RECLAMO RELACIONADO CON LOS PRODUCTOS DEL FABRICANTE, CON LA RESPONSABILIDAD DEL FABRICANTE FRENTE A LOS DAÑOS, QUEDARÁ LIMITADA AL IMPORTE PAGADO POR EL PRODUCTO EN EL MOMENTO DE LA COMPRA ORIGINAL. EL FABRICANTE NO SERÁ RESPONSABLE, BAJO NINGÚN MOTIVO, POR EL LUCRO CESANTE, EL COSTO DE LA MANO DE OBRA NI DEL EQUIPO DE SUSTITUCIÓN, DAÑOS A LA PROPIEDAD NI POR OTROS DAÑOS ESPECIALES, RESULTANTES O INDIRECTOS EN FUNCIÓN DE RECLAMOS POR INCUMPLIMIENTO CONTRACTUAL, INSTALACIÓN INAPROPIADA, NEGLIGENCIA U OTROS, INCLUSO SI EL FABRICANTE O UNO DE SUS REPRESENTANTES HUBIESE ANTICIPADO LA POSIBILIDAD DE DICHOS DAÑOS. EL FABRICANTE NO TENDRÁ NINGUNA OTRA OBLIGACIÓN O RESPONSABILIDAD RESPECTO DEL PRODUCTO O SU VENTA, OPERACIÓN Y USO NI SUPONE O AUTORIZA QUE SE SUPONGA TODA OTRA OBLIGACIÓN O RESPONSABILIDAD RELACIONADAS CON DICHO PRODUCTO.

Esta garantía limitada define los derechos legales específicos. Es posible que tenga otros derechos legales que varían de estado a estado. Algunos estados no permiten la exclusión o limitación de daños resultantes o indirectos.



833 West Diamond St, Boise, Idaho 83705  
**Servicio Al Cliente** EE.UU. 800-635-5900  
Reino Unido +44 (0)113 237 5340 | AUS +61 (0)3 63322444  
**ECCOESG.com**

An **ECCO SAFETY GROUP™** Brand  
**ECCOSAFETYGROUP.com**

**ECCO®**

# Instructions d'installation et d'utilisation ED3777 Éclairage d'avertissement

**IMPORTANT!** Lisez toutes les instructions avant d'installer et d'utiliser le produit. Installateur : ce manuel doit être remis à l'utilisateur final.

**AVERTISSEMENT!**

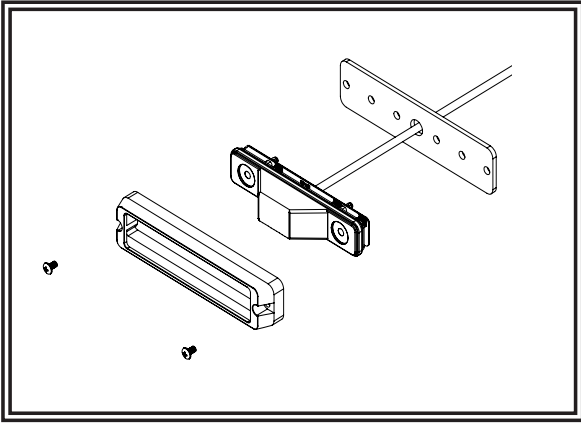
Le non-respect des recommandations du fabricant au cours de l'installation ou de l'utilisation de ce produit peut entraîner des dommages matériels et causer à ceux que vous souhaitez protéger des blessures graves, voire mortelles!



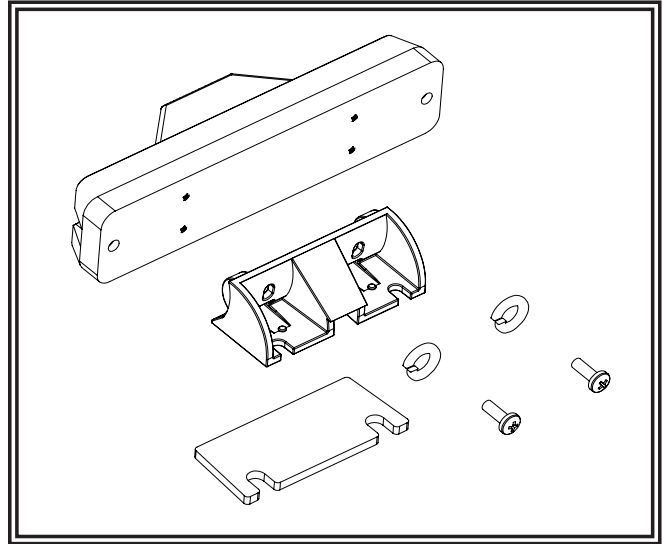
**N'installez pas et/ou n'utilisez pas ce produit de sécurité avant d'avoir lu et compris les consignes de sécurité fournies.**

1. Pour garantir votre sécurité et celle des autres, il est essentiel que le produit soit correctement installé et que l'opérateur soit formé à l'utilisation, l'entretien et la maintenance des dispositifs d'avertissement d'urgence.
2. Manipulez les connexions électriques sous tension avec prudence.
3. Ce produit doit être correctement mis à la masse. Une mise à la masse inadéquate ou un court-circuit des connexions électriques peut provoquer l'apparition d'un arc électrique haute tension, susceptible de causer des blessures corporelles ou des dommages graves sur le véhicule, ainsi qu'un incendie.
4. Une installation et un positionnement corrects sont essentiels au bon fonctionnement de ce dispositif d'avertissement. Installez ce produit de manière à optimiser les performances de sortie du système et de sorte que les commandes soient à portée de main de l'opérateur, afin qu'il puisse utiliser le système sans perdre le contact visuel avec la chaussée.
5. N'installez pas ce produit dans la zone de déploiement d'un airbag ; n'acheminez pas non plus de câbles dans cette zone. Tout équipement monté ou situé dans la zone de déploiement d'un airbag est susceptible de réduire l'efficacité de cet airbag ou de devenir un projectile pouvant causer des blessures graves, voire mortelles. Reportez-vous au manuel d'utilisation du véhicule pour en savoir davantage sur la zone de déploiement de l'airbag. Il incombe à l'utilisateur/à l'opérateur de définir un emplacement de montage approprié assurant la sécurité de tous les passagers à l'intérieur du véhicule, en évitant en particulier les zones d'impact potentiel de la tête.
6. Il incombe à l'opérateur du véhicule de s'assurer que toutes les fonctionnalités de ce produit fonctionnent correctement au cours de l'utilisation. Lorsque le produit est en cours d'utilisation, l'opérateur du véhicule doit s'assurer que le signal d'avertissement n'est pas inhibé par des composants du véhicule (comme un coffre ou des portes de compartiment ouverts), des personnes, des véhicules ou d'autres éléments.
7. L'utilisation de ce dispositif d'avertissement ou de tout autre dispositif similaire ne garantit pas que tous les conducteurs observeront un signal d'avertissement ou réagiront à ce signal. Ne prenez jamais la priorité pour acquise. Il est de votre responsabilité de vous assurer que vous pouvez vous déplacer en toute sécurité avant de vous engager dans une intersection, de conduire en sens inverse de la circulation, de réagir à une vitesse élevée et de marcher sur ou autour des voies de circulation.
8. Cet équipement est destiné uniquement au personnel autorisé. Il incombe à l'utilisateur de comprendre et de respecter toutes les lois relatives aux dispositifs de signalisation d'avertissement. Par conséquent, l'utilisateur doit s'informer sur toutes les lois et réglementations en vigueur dans la ville, la région et le pays où il se trouve. Le fabricant décline toute responsabilité en cas de perte découlant de l'utilisation de ce dispositif d'avertissement.

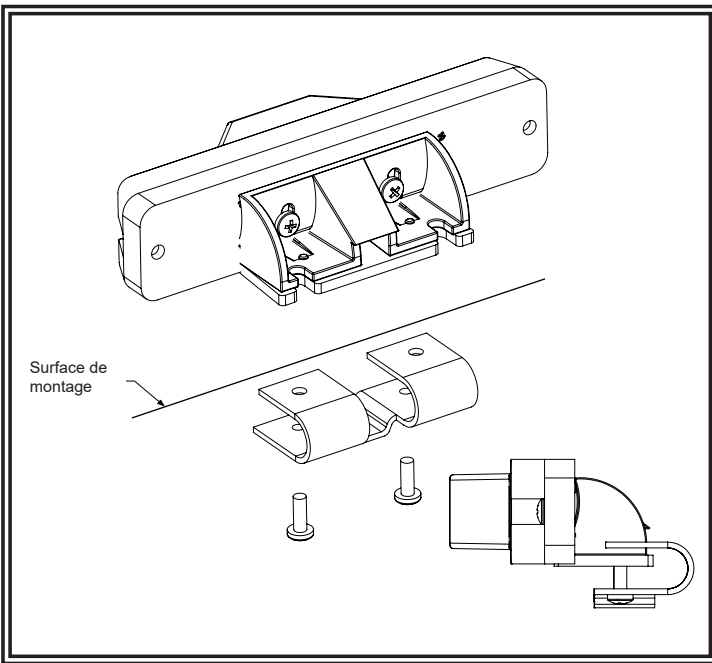
## Montage :



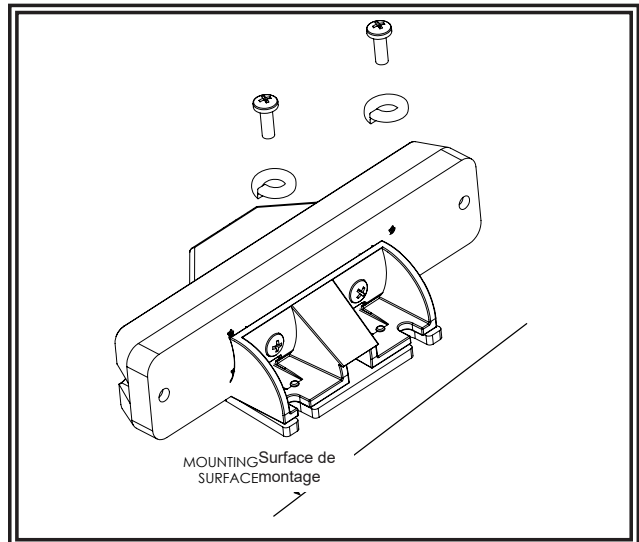
Montage en surface



Fixation adhésive



Montage de bord



Montage permanent

## Câblage : ED3777

ROUGE : Positif (besoin d'ajouter un fusible 2A)

NOIR : Négatif

BLEU : Commutation de configuration

JAUNE : Fonction synchronisée

(Jusqu'à 8 unités peuvent être synchronisées)

ORANGE : Fonctionnement de l'éclairage de retrait  
(besoin d'ajouter fusible 2A)

VERT : Fonctionnement de l'éclairage de masse  
(besoin d'ajouter fusible 2A)

## Environnement de fonctionnement :

Température ambiante : -30 à 50°C

FONCTIONNEMENT PHASE :

Phase 1 (Ph1) clignote simultanément avec Ph1

Phase 2 (Ph2) clignote simultanément avec Ph2

(Jusqu'à 8 unités peuvent être synchronisées)

### Appliquer BLEU au câble NOIR :

- Moins de 1 sec. pour la prochaine configuration
- Entre 1 et 3 sec. Pour la configuration précédente
- Entre 3 et 5 sec. pour configuration d'usine par défaut
- Plus de 5 sec. valeur par défaut au motif no.13 (ED3777) et motif no. 12 ED3777XX

## Câblage : ED3777XX

ROUGE : Positif, couleurs 1 et 3 (besoin d'ajouter un fusible 5A)

BLANC : Positif, couleurs 2 et 4 (besoin d'ajouter un fusible 5A)

NOIR : Négatif

BLEU : Sélection de configuration à négatif

JAUNE : Fonction synchronisée

(Jusqu'à 8 unités peuvent être synchronisées)

ORANGE : Fonctionnement de l'éclairage de retrait  
(besoin d'ajouter fusible 2A)

VERT : Fonctionnement de l'éclairage de masse  
(besoin d'ajouter fusible 2A)

	ROUGE	BLANC
PRODUIT	COULEURS 1 et 3	COULEURS 2 et 4
ED3777AW	AMBRE	BLANC
ED3777BW	BLEU	BLANC
ED3777RB	ROUGE	BLEU
ED3777RW	ROUGE	BLANC
ED3777AG	AMBRE	VERT
ED3777AB	AMBRE	BLEU
ED3777AR	AMBRE	ROUGE

## DÉPANNAGE

Les appareils séries ED3777 et ED3777XX ont été testés en usine et approuvés. Si les fonctions de l'appareil tombent en panne, veuillez vérifier les points suivants :

1. Après avoir branché l'appareil, assurez-vous que la source d'alimentation est jointe correctement. Ensuite, assurez-vous qu'aucun court-circuit ne se produise.
2. Assurez-vous que le commutateur est mis en position de MARCHE.

Garantie limitée et limitation de responsabilité du fabricant :

Le fabricant garantit qu'à la date d'achat ce produit sera conforme aux caractéristiques techniques définies par ses soins (disponibles sur demande) et qu'il est exempt de vices de fabrication et de main-d'œuvre. La présente garantie limitée est valable soixante (60) mois à compter de la date d'achat. D'autres garanties peuvent s'appliquer. Pour plus d'informations, contactez le fabricant. Le fabricant réparera ou remplacera, à son entière discrétion, tout produit qu'il jugera défectueux, sous réserve de la présente garantie limitée.

LA PRÉSENTE GARANTIE LIMITÉE EST NULLE ET NON AVENUE EN CAS D'ENDOMMAGEMENT DE PIÈCES OU DE PRODUITS RÉSULTANT D'UNE ALTÉRATION, D'UN ACCIDENT, D'UN ABUS, D'UNE MAUVAISE UTILISATION, D'UNE NÉGLIGENCE, DE MODIFICATIONS NON AUTORISÉES, D'UN INCENDIE OU D'UN AUTRE DANGER; D'UNE MAUVAISE INSTALLATION OU D'UN FONCTIONNEMENT INCORRECT; OU ENCORE D'UN ENTRETIEN NON CONFORME AUX PROCÉDURES D'ENTRETIEN DÉFINIES DANS LES INSTRUCTIONS D'INSTALLATION ET D'UTILISATION DU FABRICANT.

LES DÉCLARATIONS OU OBSERVATIONS ORALES AU SUJET DU PRODUIT QUI POURRAIENT AVOIR ÉTÉ FAITES PAR DES VENDEURS, DES REVENDEURS, DES AGENTS OU D'AUTRES REPRÉSENTANTS DU FABRICANT NE CONSTITUENT PAS DES GARANTIES. LA PRÉSENTE GARANTIE LIMITÉE NE PEUT ÊTRE MODIFIÉE ET SON CHAMP D'APPLICATION NE PEUT ÊTRE ÉLARGI EXCEPTÉ EN VERTU D'UN ACCORD ÉCRIT SIGNÉ PAR UN REPRÉSENTANT AUTORISÉ DU FABRICANT QUI FAIT EXPRESSÉMENT RÉFÉRENCE À LA PRÉSENTE GARANTIE.

Exclusion d'autres garanties :

LE FABRICANT N'ACCORDE AUCUNE AUTRE GARANTIE, EXPRESSE OU TACITE. LES GARANTIES IMPLICITES DE QUALITÉ MARCHANDE OU D'APTITUDE À UN USAGE PARTICULIER SONT EXCLUES ET NE S'APPLIQUERONT PAS AU PRODUIT. LE SEUL ET UNIQUE RECOURS DE L'ACHETEUR CONTRE LE FABRICANT CONCERNANT LE PRODUIT ET SON UTILISATION, QUEL QUE SOIT LE FONDEMENT DE RESPONSABILITÉ INVOQUÉ (RESPONSABILITÉ CONTRACTUELLE, DÉLICTUELLE OU AUTRE), SERA LE REMPLACEMENT OU LA RÉPARATION DU PRODUIT COMME INDIQUÉ CI-DESSUS.

Limitation de responsabilité :

EN CAS DE RESPONSABILITÉ POUR DES DOMMAGES DÉCOULANT DE LA PRÉSENTE GARANTIE LIMITÉE OU TOUTE AUTRE RÉCLAMATION RELATIVE AUX PRODUITS DU FABRICANT, LA RESPONSABILITÉ DU FABRICANT SE LIMITERA AU MONTANT PAYÉ POUR LE PRODUIT LORS DE L'ACHAT INITIAL. LE FABRICANT NE SERA EN AUCUN CAS RESPONSABLE DU MANQUE À GAGNER, DU COÛT DE L'ÉQUIPEMENT DE SUBSTITUTION OU DE LA MAIN-D'ŒUVRE, DES DOMMAGES MATÉRIELS OU D'AUTRES DOMMAGES PARTICULIERS, INDIRECTS OU ACCESSOIRES FONDÉS SUR UNE RÉCLAMATION POUR RUPTURE DE CONTRAT, MAUVAISE INSTALLATION, NÉGLIGENCE OU TOUTE AUTRE RÉCLAMATION, MÊME SI LE FABRICANT OU L'UN DE SES REPRÉSENTANTS A ÉTÉ INFORMÉ DE L'ÉVENTUALITÉ DE TELS DOMMAGES. LE FABRICANT NE S'ACQUITTE D'AUCUNE AUTRE OBLIGATION OU RESPONSABILITÉ QUANT AU PRODUIT OU SA VENTE, SON FONCTIONNEMENT ET SON UTILISATION, ET N'ADMET NI N'AUTORISE L'HYPOTHÈSE DE TOUTE AUTRE OBLIGATION OU RESPONSABILITÉ EN RELATION AVEC CE PRODUIT.

La présente garantie limitée vous accorde des droits juridiques spécifiques. Vous pouvez également jouir d'autres droits, lesquels peuvent varier d'un état à l'autre. Certains États n'autorisent pas l'exclusion ou la limitation de dommages indirects ou accessoires.



833 West Diamond St, Boise, Idaho 83705

**Le Service Client États-Unis 800-635-5900**

Royaume-Uni +44 (0)113 237 5340 | AUS +61 (0)3 63322444

**ECCOESG.com**

An ECCO SAFETY GROUP™ Brand

**ECCOSAFETYGROUP.com**