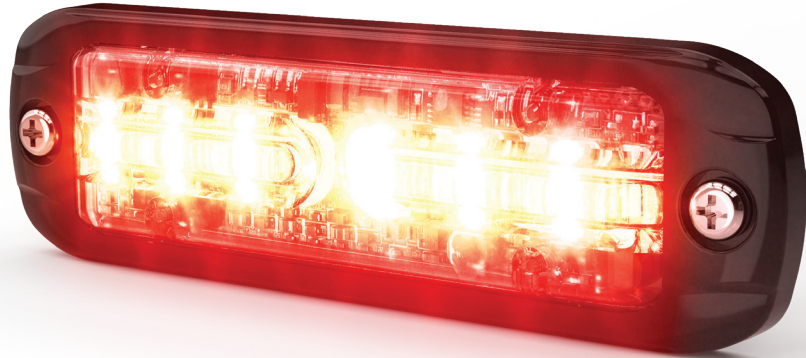
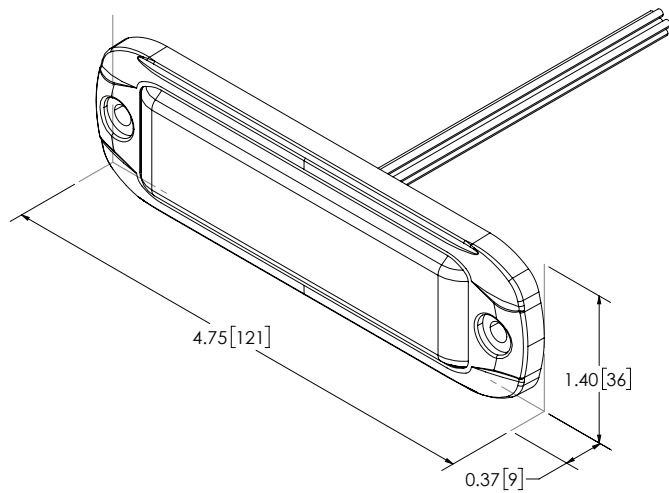


CD3801 & CD3802 SERIES

SURFACE MOUNT



The CD3801 and CD3802 directional LEDs are bright and versatile warning lights suited to a wide variety of applications. Their ultra-low profile makes them easy to install virtually anywhere on a vehicle and are 25% thinner than previous models. All products offer wide angle optics and multiple flash patterns, including synchronisation with other units for simultaneous or alternating operation. Each LED colour can be controlled independently. Features include clear lens and a black die cast base as well as a sync capability with Code 3's XTP, M180™ and MICROPAK directionals.



Measurements in inches (millimetres)

VOLTS AMPS	12-24V 0.76A (Single), 0.73A (Dual)
DIMS	1.4" H x 4.75" L x 0.37" D 36mm H x 121mm L x 9mm D
MOUNTING HOLE SPACING	4.13" 105mm
FLASH PATTERNS	29 Single, 69 Dual
CERTS	CLASS I (SAE J595), R65, R10, CE, IP69, IP67, RoHS
DETAILS	<ul style="list-style-type: none"> • Sleek, low-profile design that allows for easy installation in a variety of locations • 25% thinner than previous models • Delivers a bright, powerful off-angle performance with its curved end optics • Clear lens with 6 LED single-colour or 12 LED dual-colour • Sync-capable with XTP, M180™ and MICROPAK • Multiple flash patterns with phase 1 and phase 2 syncing capabilities • Aluminium housing and polycarbonate lens
REPLACE	"_" with A = Amber, B = Blue, R = Red, W = White

MODEL	TYPE	ILLUMINATION COLOURS
CD3801_	Single	B, R, W
CD3802__	Dual	AB, AR, BW, RB, RW

+44 (0)113 237 5340 | sales@eccogroup.com