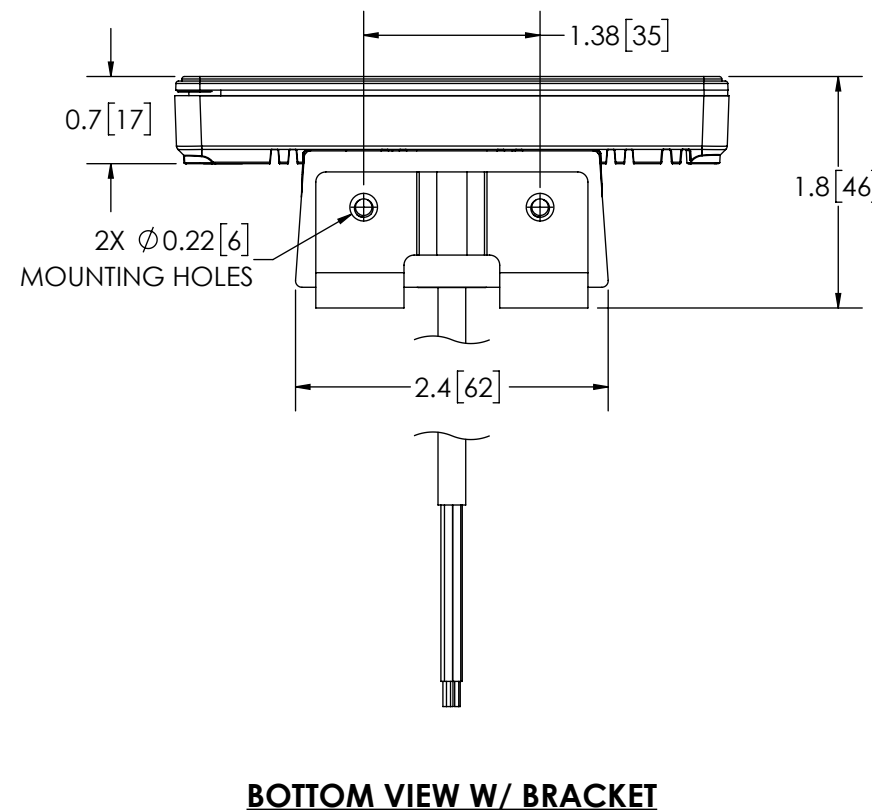
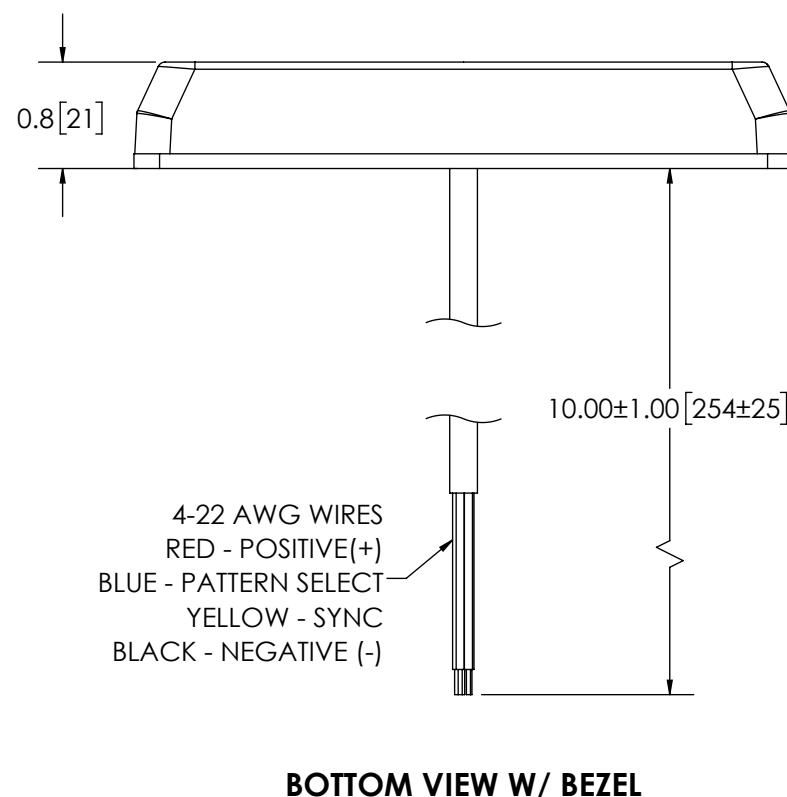
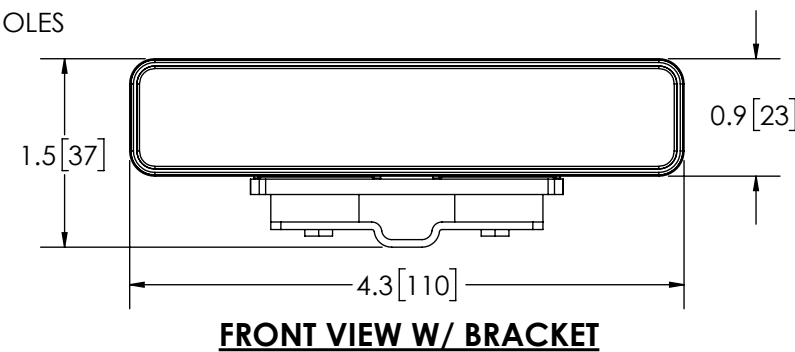
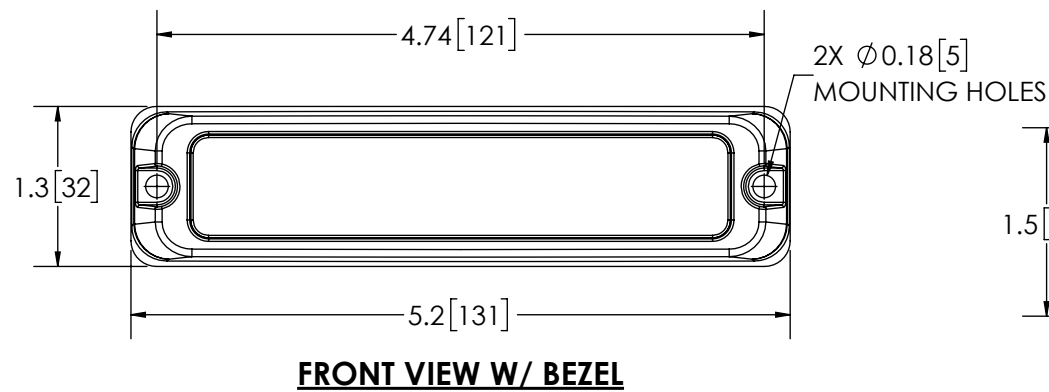


REVISION HISTORY		
REV.	DESCRIPTION	DATE
A	INITIAL RELEASE PER LM14213	2014-11-11
B	REVISED PER EP0152	2022-05-23
C	REVISED PER EP0152	2023-05-02

SPECIFICATIONS

- CERTIFICATIONS: **CE**; ECE R10; SAE (SEE CHART) ; CA Title 13 (SEE CHART) ; ; Reg 65 CertE6 XA1 000092 (SEE CHART); IP67
 Note: Unique components, accessories, and hardware kits are not typically included in the Product Certification Test Protocols. Unless otherwise Specified, the Product Certifications referred to herein are predicated upon the base product model configuration.
- FLASH MODE: SINGLE : 75 ± 5 FLASHES PER MINUTE
 SINGLE : 120 ± 5 FLASHES PER MINUTE
 DOUBLE : 75 ± 5 FLASHES PER MINUTE
- VOLTAGE (NOMINAL): 12-24 VDC
- VOLTAGE (EXTREME): 9-32 VDC
- CURRENT (PEAK): 0.8A (@ 12 VDC NOMINAL)
- POWER (MAXIMUM): 10.6W (@ 12 VDC NOMINAL)
- TEMPERATURE RANGE: -40°F (-40°C) TO 149°F (65°C)
- CONNECTION: 4-22 AWG WIRES
- MOUNTING: 2-BOLT
- BASE MATERIAL: ALUMINUM
- LENS MATERIAL: POLYCARBONATE
- PRODUCT WEIGHT: 0.2 LBS (0.09 Kg)

FGS. PRODUCT CHART				
FGS. NO.	COLOR	J595 (NOV 2008)	TITLE 13	ECE R65
ED3706A	AMBER	CLASS 1	CLASS B	CLASS 1
ED3706B	BLUE	CLASS 1	CLASS B	CLASS 1
ED3706C	CLEAR	CLASS 1	-	-
ED3706G	GREEN	-	-	-
ED3706R	RED	CLASS 1	CLASS B	-



- NOTES:
 1. ROHS COMPLIANT
 2. DIMENSIONS IN INCHES [MILLIMETERS (FOR REFERENCE)]

PROPRIETARY AND CONFIDENTIAL INFORMATION

THIS DRAWING AND THE DESIGN AND OTHER INFORMATION DISCLOSED HEREIN ARE THE PROPERTY OF ELECTRONIC CONTROLS COMPANY AND/OR ITS ECCO SAFETY GROUP AFFILIATES ("ECCO") AND IS ISSUED IN CONFIDENCE TO RECIPIENT FOR ENGINEERING INFORMATION PURPOSES ONLY. THIS DRAWING AND THE DESIGN AND OTHER INFORMATION DISCLOSED HEREIN MAY NOT BE USED, COPIED, REPRODUCED OR OTHERWISE DISCLOSED IN PART OR IN WHOLE TO THIRD PARTIES OR USED FOR ANY OTHER PURPOSE WITHOUT PRIOR ECCO WRITTEN CONSENT. ECCO RESERVES ALL PATENT, COPYRIGHT, TRADEMARK AND OTHER PROPRIETARY RIGHTS TO THIS DOCUMENT, INCLUDING ALL DESIGN, MANUFACTURING, REPRODUCTION, USE AND SALES RIGHTS THEREIN. THIS DRAWING IS SUBJECT TO RECALL BY ECCO AT ANY TIME, AND YOUR POSSESSION AND/OR USE CONSTITUTES ACCEPTANCE OF THESE TERMS. ©2014 ELECTRONIC CONTROLS COMPANY

SCALE 2:3	APPROVALS	DATE	ECCO ® www.eccolink.com Americas (800) 635-5900 Europe +44 (0)113 237 5340 Asia Pacific +61 (0)3 63322444														
CAD GENERATED DRAWING DO NOT MANUALLY UPDATE.	DRAWN BY BTK CHECKED ABD	2023-05-01 2023-05-02															
TOLERANCES ARE IN INCHES, AND MILLIMETERS TOLERANCES UNLESS OTHERWISE STATED ARE:	MECH. ENG.		6 LED, HEAD, MULTIMOUNT, 12-24V CUSTOMER PART NO. SEE CHART														
<table border="1"> <tr> <th>MILLIMETERS DECIMALS</th> <th>MILLIMETERS FRACTIONS</th> <th>INCHES DECIMALS</th> <th>INCHES FRACTIONS</th> <th>ANGLES</th> </tr> <tr> <td>XX. ± 1.0mm</td> <td>XX.X ± 0.1</td> <td>X.X ± 0.1</td> <td>X.XX ± 0.04</td> <td>± 0.5°</td> </tr> <tr> <td>XX.X ± 0.5mm</td> <td>XX.XX ± 0.02</td> <td>X.XXX ± 0.02</td> <td>FRACTIONS ± 1/64</td> <td></td> </tr> </table>	MILLIMETERS DECIMALS	MILLIMETERS FRACTIONS		INCHES DECIMALS	INCHES FRACTIONS	ANGLES	XX. ± 1.0mm	XX.X ± 0.1	X.X ± 0.1	X.XX ± 0.04	± 0.5°	XX.X ± 0.5mm	XX.XX ± 0.02	X.XXX ± 0.02	FRACTIONS ± 1/64		ELEC. ENG.
MILLIMETERS DECIMALS	MILLIMETERS FRACTIONS	INCHES DECIMALS	INCHES FRACTIONS	ANGLES													
XX. ± 1.0mm	XX.X ± 0.1	X.X ± 0.1	X.XX ± 0.04	± 0.5°													
XX.X ± 0.5mm	XX.XX ± 0.02	X.XXX ± 0.02	FRACTIONS ± 1/64														
	TEST ENG.																
	SALES.																
THIRD ANGLE PROJECTION																	
	Electronically Controlled Use Latest Copy	SHEET 1 OF 1	SIZE: B DWG. NO. ED3706X Project: LM14213 Date Created: 2014-05-27 REV. C														