



T6 LED

12 Watt



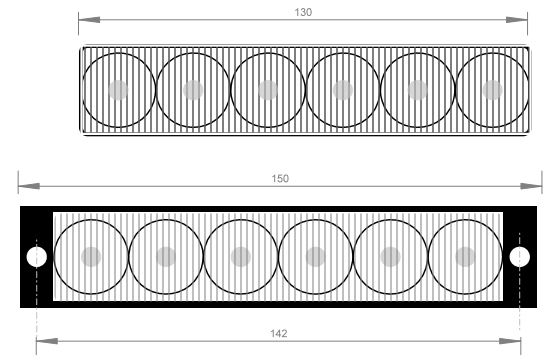
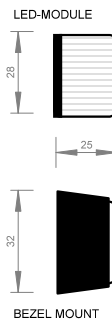
ECE R65

6 x 2 Watt LED

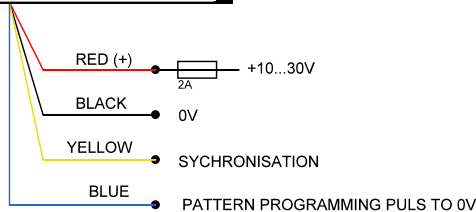
LED GEN-IV

XA1 001354
XB1 001353

CLASS-1



Wiring



Technical Data

Candel Power	>120 (Bleu) >200(Amber)
Flashpattern - Alternating	Single, Double, Quad
Flashpattern - Simultaneous	Single, Double, Quad
Total Watts	12
Voltage	10...30V
Start Up Draw (Amps)	0,8 (12V)
Running Draw (Amps)	0,8 (12V)
Housing	Polycarbonate black
Lens	Polycarbonate clear
Protection	IP-67
Connector	Wiring
Operating temperature	-30...+70 Deg.Celsius
Size	see drawing

Brackets

Volkswagen-T5

- GRILLE: T6-BZ-T5G
- MIRROR (Font): T6-BZ-T5S



L-90 degree: T6-SB6



45 degree: T6-BZ45



20 degree: T6-BZ20

- MIRROR (Font): T6-BZ-T5S

Partnumber

AMBER ECE R65 CLASS-1	T6-LED-A
BLUE ECE R65 CLASS-1	T6-LED-B

TECHNICAL DETAILS FOR INFORMATION ONLY. 27032010



TEL 0031 346 556.323 info@lichtbalk.nl www.warntec.com

Directional Warninglight

DWL 6-0